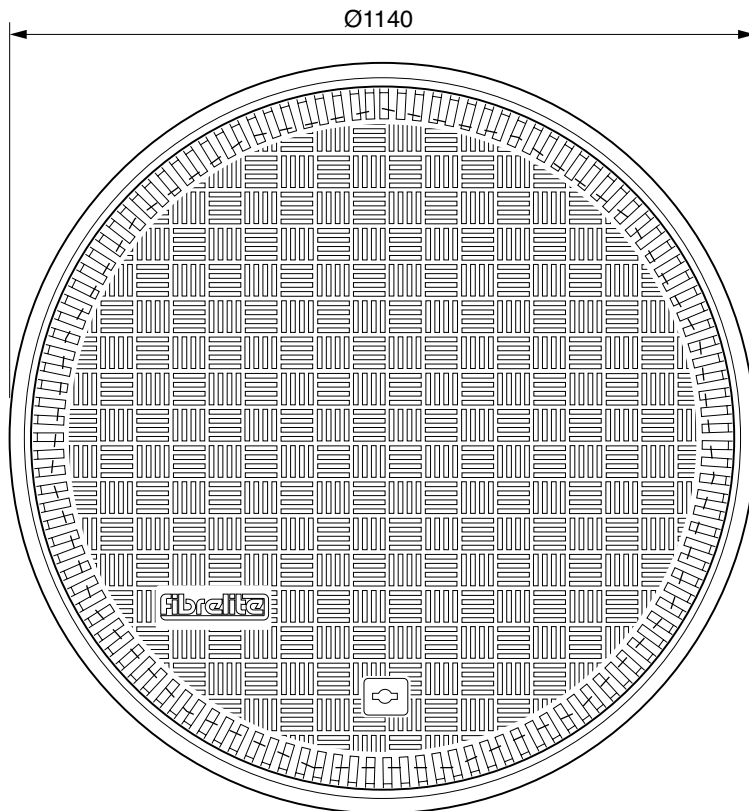
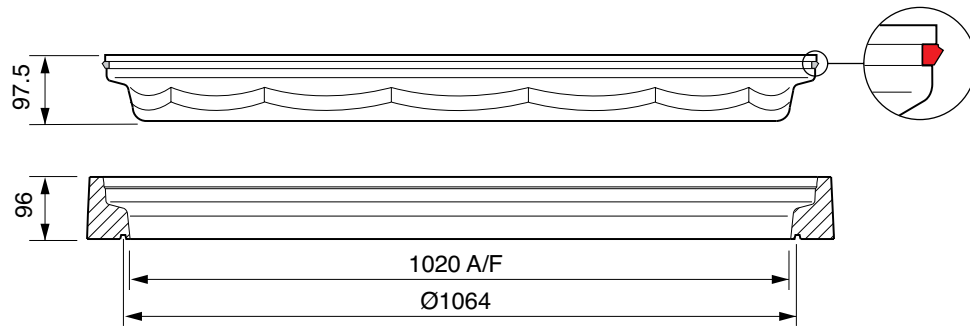


1020mm diameter flat sealed composite cover with a composite frame.

*For reference purposes only. This drawing is not a specification. Order against product code only. To enable continuous improvement of our products, the designs and specifications are subject to change without notice.*



Load Rating	Cover Weight	Frame Weight
C250	50 kg	12 kg
D400	63 kg	12 kg

1020mm diameter flat sealed composite cover with a composite frame.

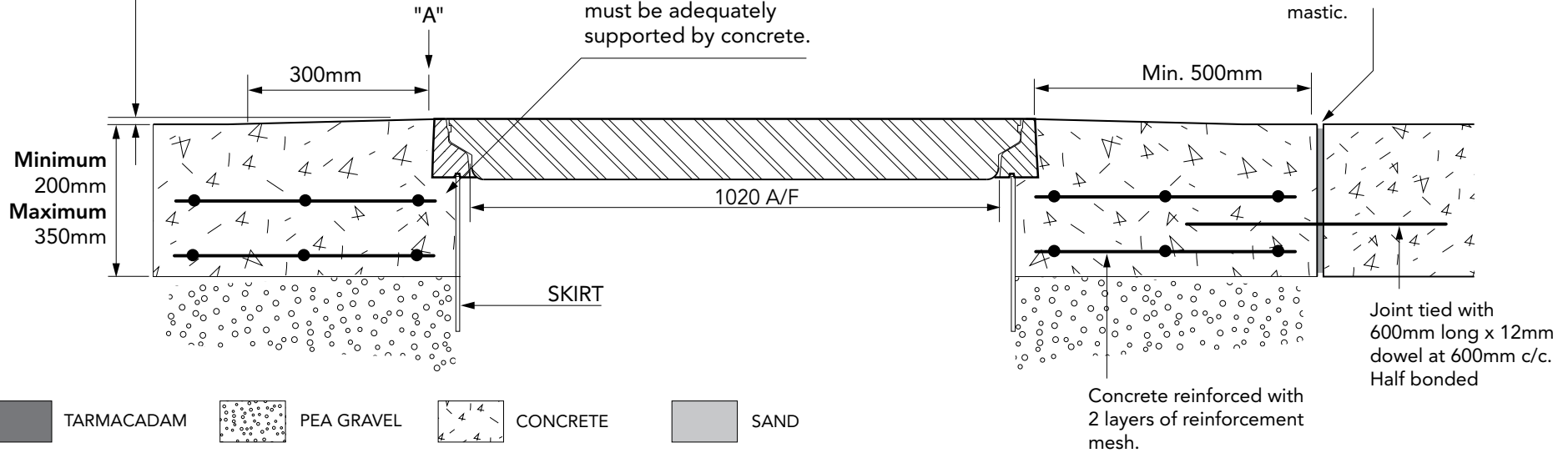
*For reference purposes only. This drawing is not a specification. Order against product code only. To enable continuous improvement of our products, the designs and specifications are subject to change without notice.*

**CONCRETE VERY IMPORTANT**

OUTER EDGE "A" OF FRAME SET 5MM ABOVE GENERAL FORECOURT AREA WITH CONCRETE RAMPED AWAY OVER 300MM

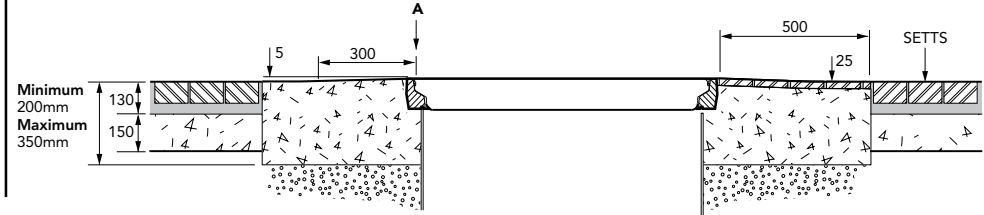
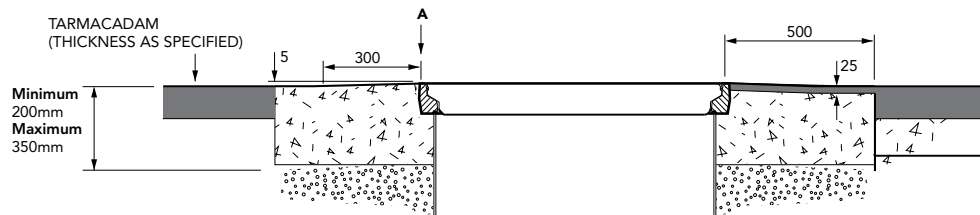
**VERY IMPORTANT**  
The underside of the frame must be adequately supported by concrete.

Expansion joint filled with petrol resistant mastic.



**TARMACADAM**

**SETTS**



1020mm diameter flat sealed composite cover with a composite frame.

*For reference purposes only. This drawing is not a specification. Order against product code only. To enable continuous improvement of our products, the designs and specifications are subject to change without notice.*

