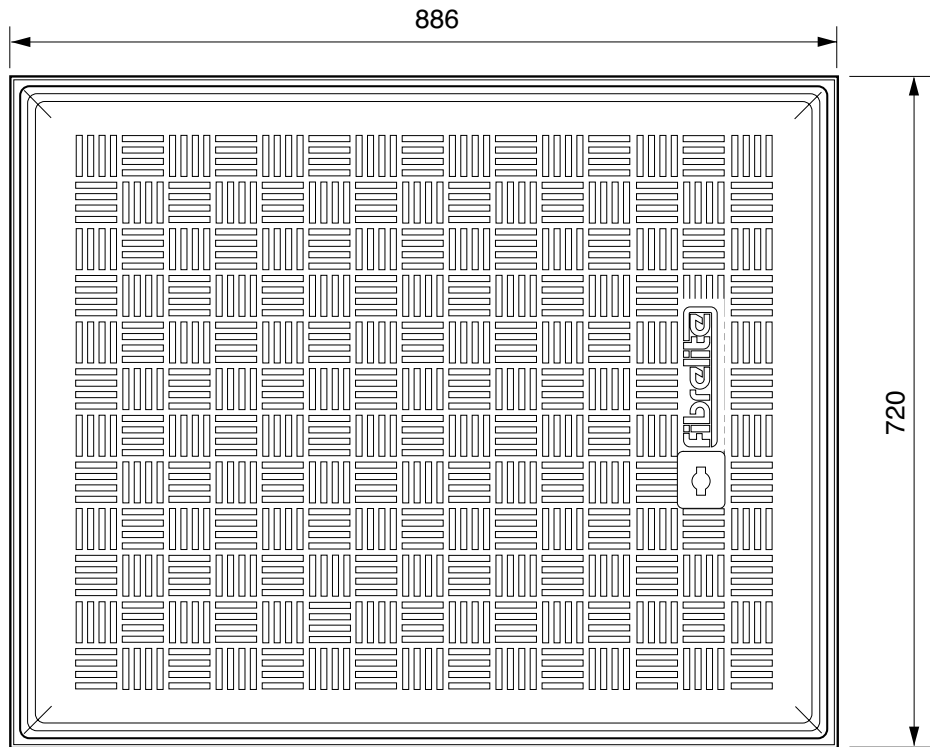
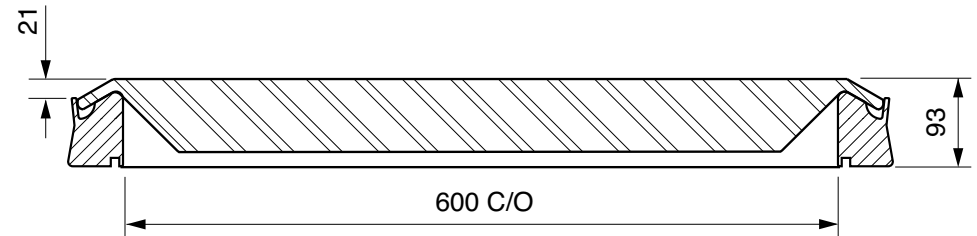
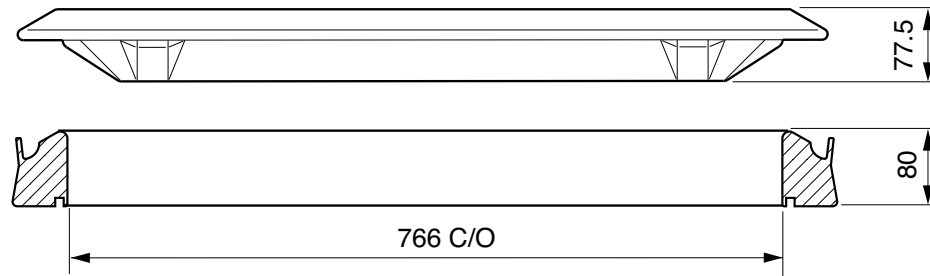


FL3 Cover

FL3 Frame

766mm x 600mm raised composite cover with an aluminium frame.

For reference purposes only. This drawing is not a specification. Order against product code only. To enable continuous improvement of our products, the designs and specifications are subject to change without notice.



Load Rating	Cover Weight	Frame Weight
C250	23 kg	9 kg

766mm x 600mm raised composite cover with an aluminium frame.

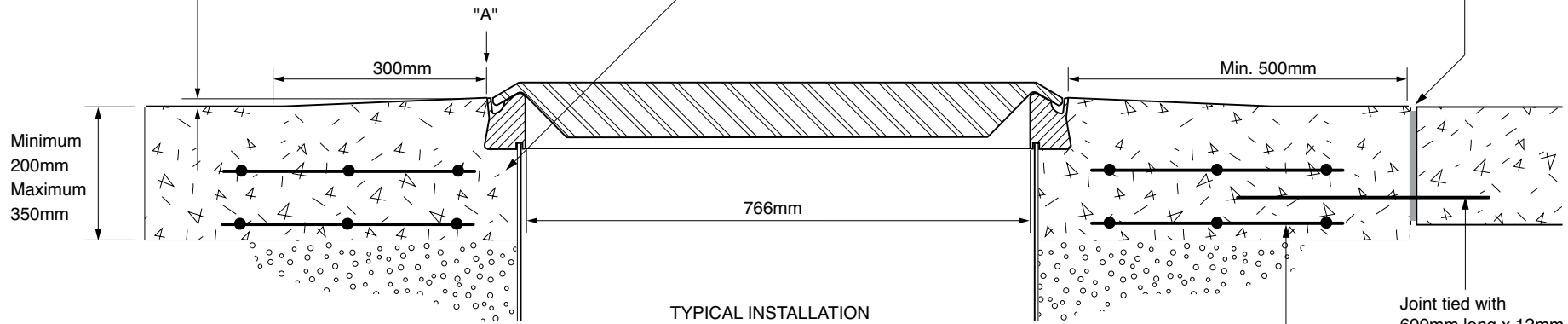
For reference purposes only. This drawing is not a specification. Order against product code only. To enable continuous improvement of our products, the designs and specifications are subject to change without notice.

CONCRETE

VERY IMPORTANT

OUTER EDGE "A" OF FRAME SET 5 - 10MM ABOVE GENERAL FORECOURT AREA WITH CONCRETE RAMPED AWAY OVER 300MM.

VERY IMPORTANT
The underside of the frame must be adequately supported by concrete.



TYPICAL INSTALLATION

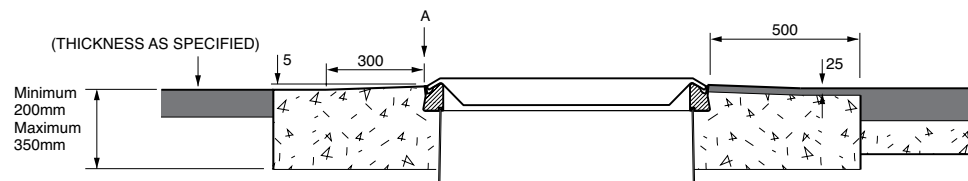
TARMACADAM
 PEA GRAVEL
 CONCRETE
 SAND

Concrete reinforced with 2 layers of reinforcement mesh.

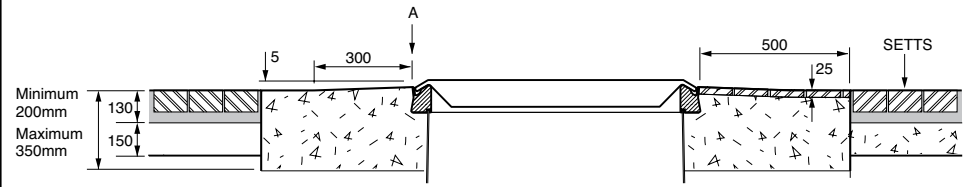
Expansion joint filled with petrol resistant mastic.

Joint tied with 600mm long x 12mm dowel at 600mm c/c. Half bonded

TARMACADAM



SETTS



766mm x 600mm raised composite cover with an aluminium frame.

For reference purposes only. This drawing is not a specification. Order against product code only. To enable continuous improvement of our products, the designs and specifications are subject to change without notice.

