

FL96 COVER

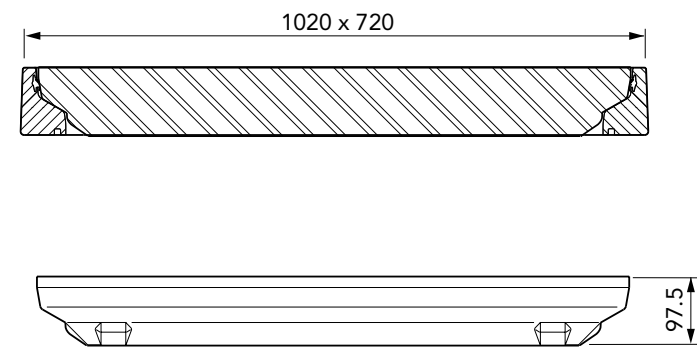
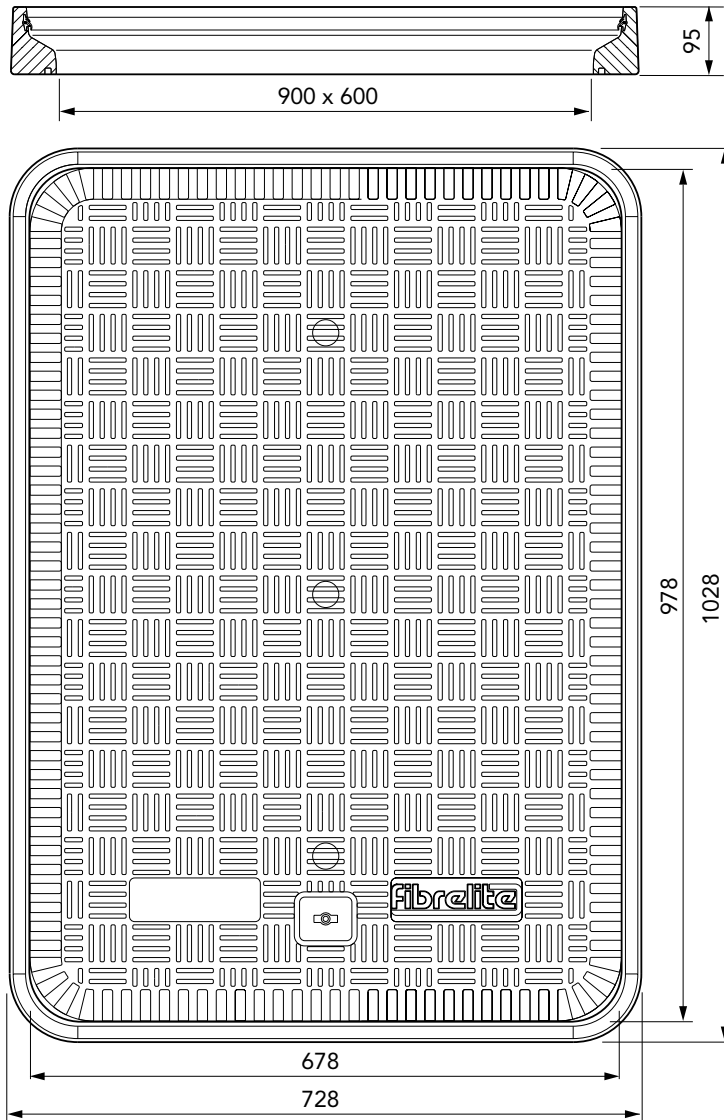
KEY HOUSING

SEAL

FL96 FRAME

900 x 600mm flat sealed composite cover with an aluminium frame.

For reference purposes only. This drawing is not a specification. Order against product code only. To enable continuous improvement of our products, the designs and specifications are subject to change without notice.



Load Rating	Cover Weight	Frame Weight
B125	18 kg	11 kg
C250	27 kg	11 kg
D400	38.5 kg	11 kg
E600	47 kg	13.3 kg

900 x 600mm flat sealed composite cover with an aluminium frame.

For reference purposes only. This drawing is not a specification. Order against product code only. To enable continuous improvement of our products, the designs and specifications are subject to change without notice.



CONCRETE

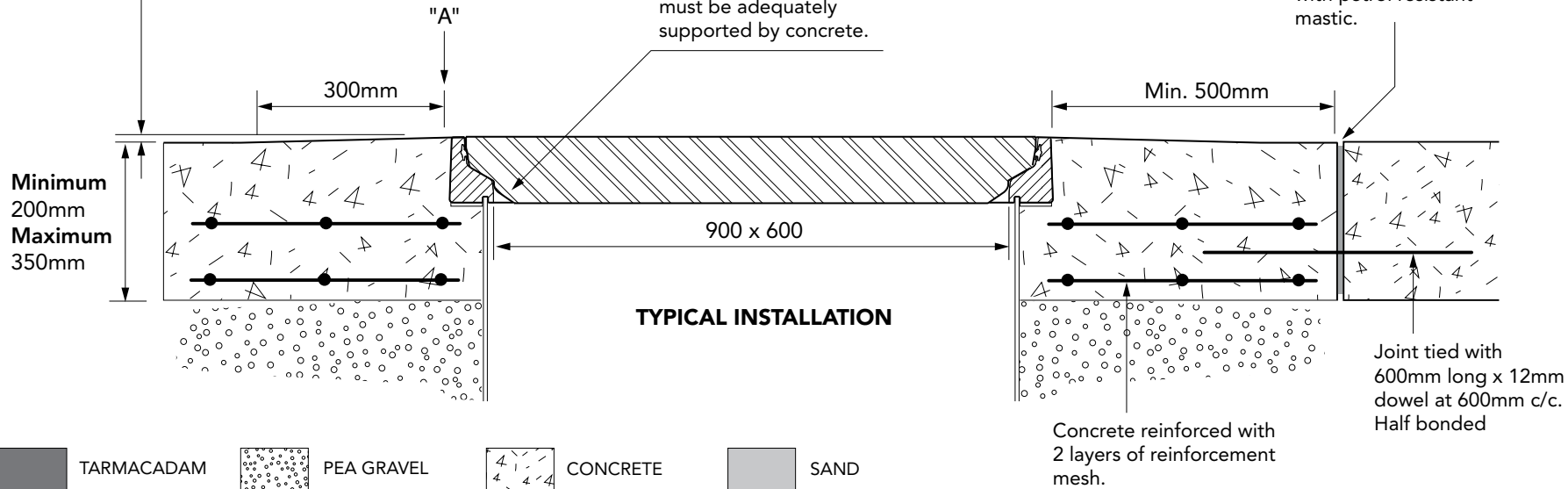
VERY IMPORTANT

OUTER EDGE "A" OF FRAME SET 5MM ABOVE GENERAL FORECOURT AREA WITH CONCRETE RAMPED AWAY OVER 300MM

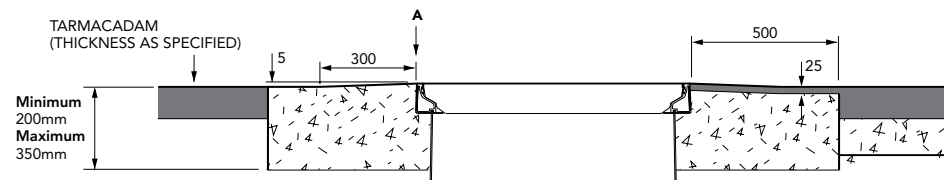
VERY IMPORTANT

The underside of the frame must be adequately supported by concrete.

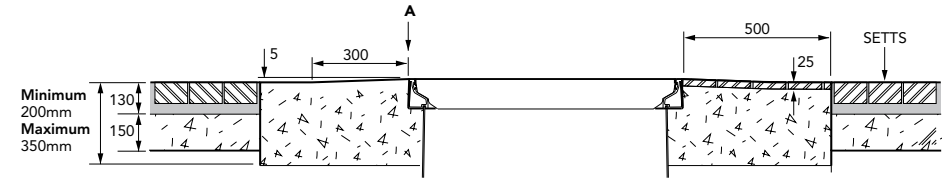
Expansion joint filled with petrol resistant mastic.



TARMACADAM



SETTS



900 x 600mm flat sealed composite cover with an aluminium frame.

For reference purposes only. This drawing is not a specification. Order against product code only. To enable continuous improvement of our products, the designs and specifications are subject to change without notice.

