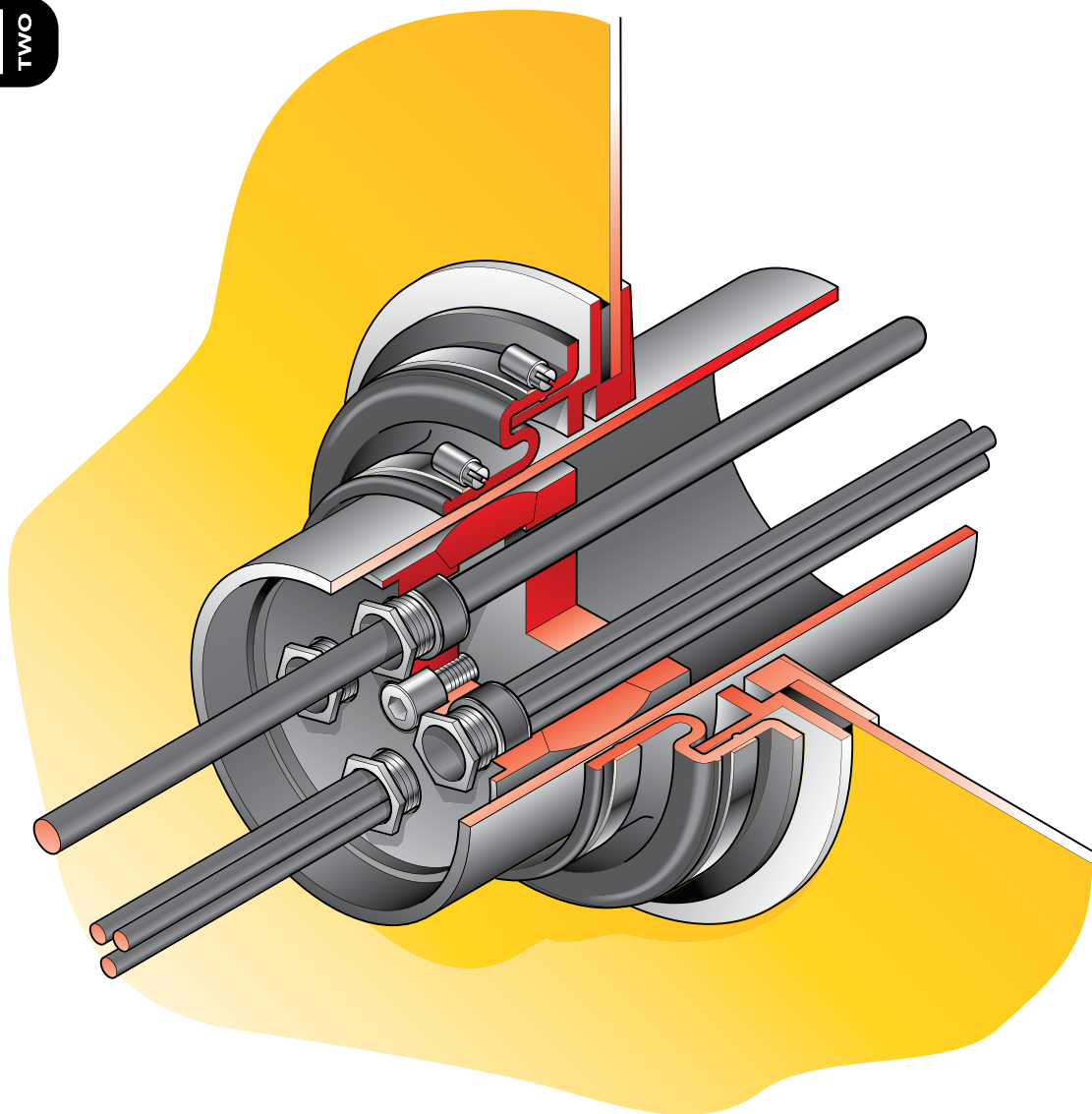


premier TWO



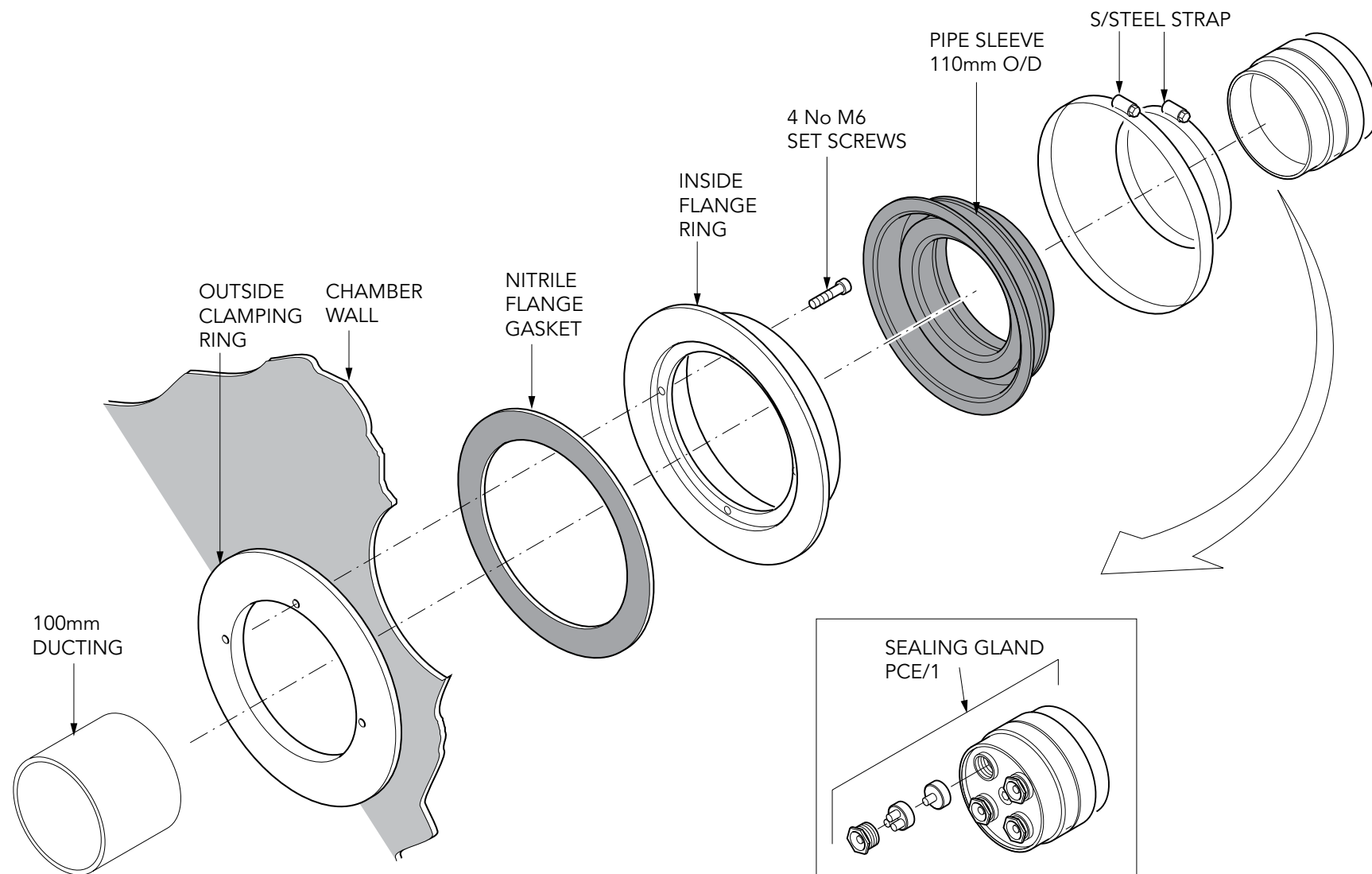
Category: **ACCESS PIPE ENTRY KITS**

Product Description: 110mm dia. pipe entry seal kit (PSB/110), with sealtight compression gland. Sealing gland fits 4 cables (9-20mm) or 12 cables (4-8mm).
Internal sealing gland can be purchased separately. (PCE/1)

Page No: **1**

Product Code: **PCE/1/KIT**

Date: **January 2011**



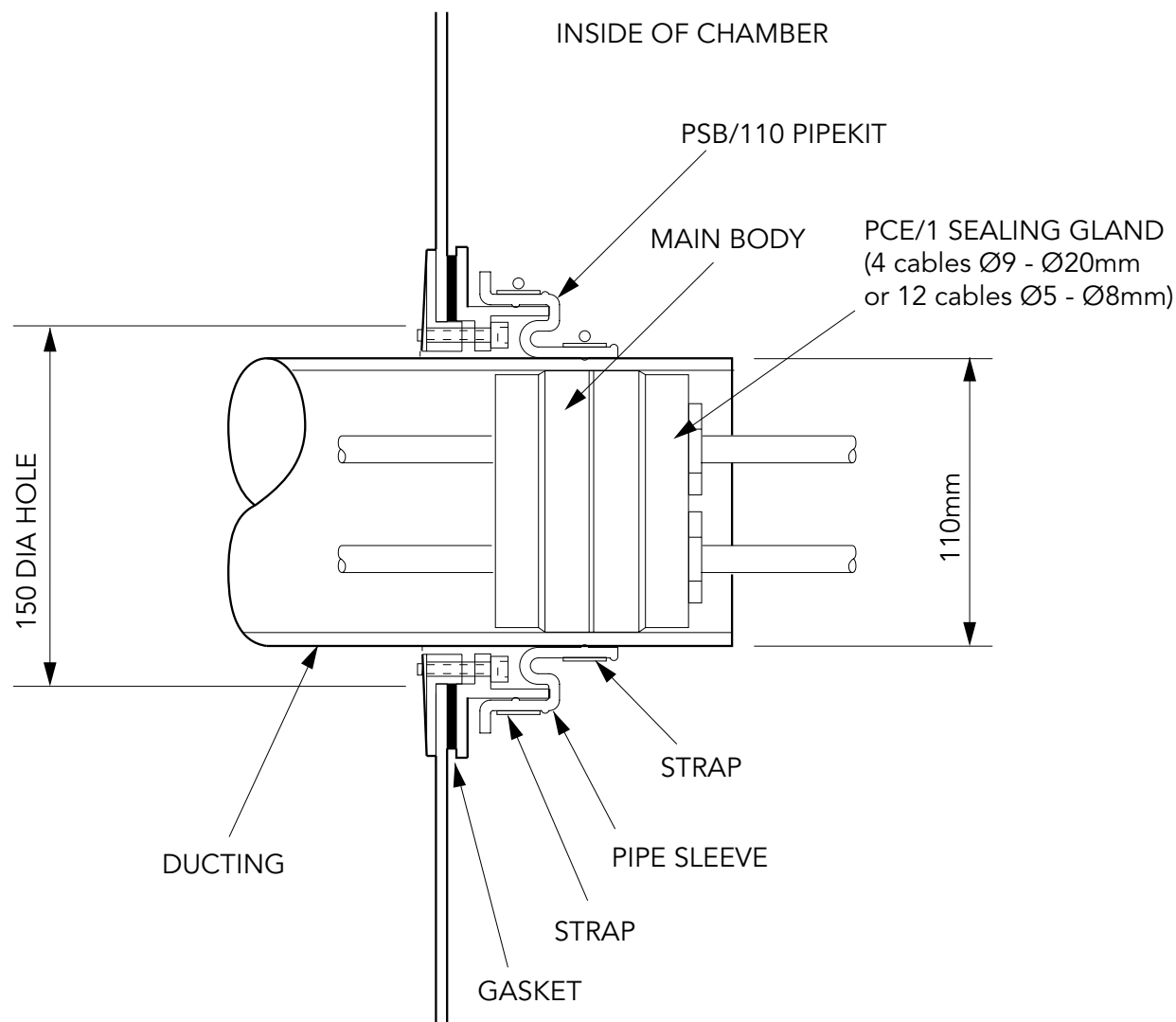
Category: **ACCESS PIPE ENTRY KITS**

Product Description: 110mm dia. pipe entry seal kit (PSB/110), with sealtight compression gland. Sealing gland fits 4 cables (9-20mm) or 12 cables (4-8mm). Internal sealing gland can be purchased separately. (PCE/1)

Page No: **2**

Product Code: **PCE/1/KIT**

Date: **January 2011**



The PCE/1 sealing body is capable of sealing to ducts with an internal diameter ranging from 97 to 110mm.

The PSB/110 pipe seal kit is capable of sealing to ducts with a external diameter ranging from 99 to 116 mm.



Category: **ACCESS PIPE ENTRY KITS**

Product Description: 110mm dia. pipe entry seal kit (PSB/110), with sealtight compression gland. Sealing gland fits 4 cables (9-20mm) or 12 cables (4-8mm). Internal sealing gland can be purchased separately. (PCE/1)

Page No: **3**

Product Code: **PCE/1/KIT**

Date: **January 2011**