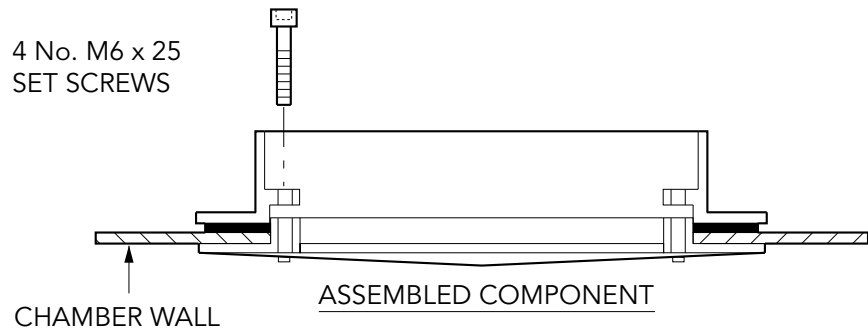


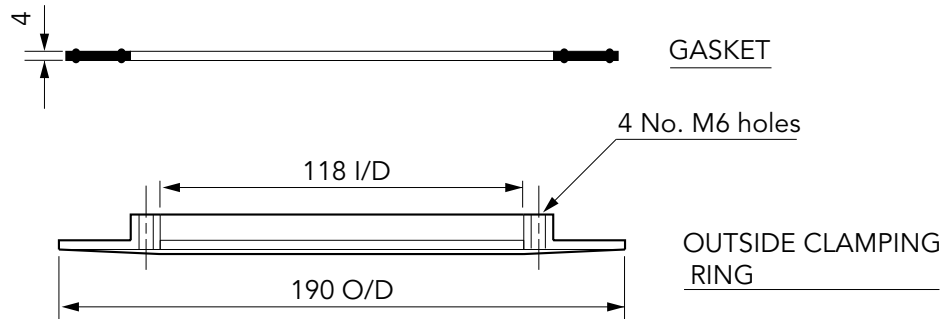
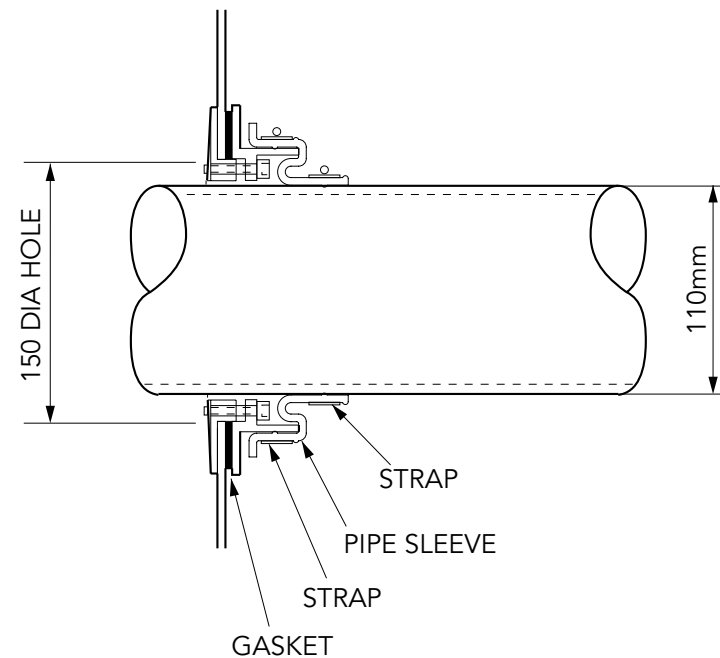
Notes:	Category: ACCESS PIPE ENRTY KITS	
	Product Description: Pipe entry kits to fit 110mm single bore pipework	
For reference purposes only. This drawing is not a specification.	Drawing No.:	Product Code: PSB/110
	Date: June 2007	Revisions:





ASSEMBLY FOR PIPEWORK
SIZE 110mm O/D

INSIDE OF CHAMBER



MAIN COMPONENTS

Notes:	Category: ACCESS PIPE ENTRY KITS	
	Product Description: Pipe entry kits to fit 110mm single bore pipework	
For reference purposes only. This drawing is not a specification.	Drawing No.:	Product Code: PSB/110
	Date: June 2007	Revisions:

