



Sunny-XE Euro

ELECTRONIC FUEL DISPENSERS

 **TATSUNO EUROPE a.s.**



The fuel dispenser Sunny-XE Euro serves for dispensing liquid oil products into road vehicles on retail and commercial outlets.

Sunny-XE Euro is progressive single or double sided fuel dispenser with one to eight hoses for dispensing optionally one to four products.

Sunny-XE Euro is equipped with the high quality Japanese hydraulic system TATSUNO and the reliable electronic calculator.

Simple and attractive design with durable materials in addition to composite plastic nozzle boots and countless configurations lasts longer and offers certain benefit to their users.

-  NEW DESIGN
-  HYDRAULICS TATSUNO (JAPAN)
-  GRAPHICS DISPLAYS
-  EFFECTIVE VAPOUR RECOVERY

Sunny-XE
Euro



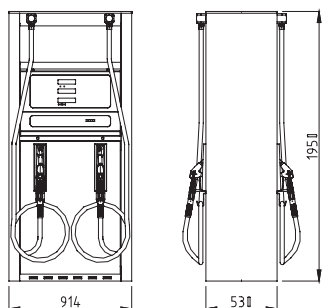
Sunny-XE Euro

ELECTRONIC FUEL DISPENSERS

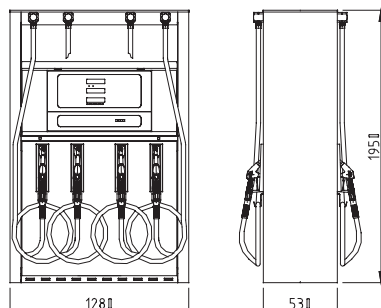


TATSUNO EUROPE a.s.

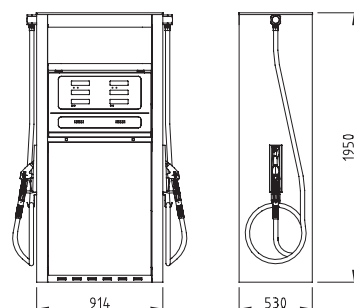
SDA 2442.E



SDB 4882.E



SDA 2222.E-S



SINGLE-SIDED DISPENSERS Sunny-XE Euro

| Product | Type | Hoses/Performance |
|---------|------------|-------------------|
| 1 | SDA 1111.E | 1 × 40 L/min |
| 2 | SDA 2221.E | 2 × 40 L/min |
| 3 | SDB 3331.E | 3 × 40 L/min |
| 4 | SDB 4441.E | 4 × 40 L/min |

DOUBLE-SIDED DISPENSERS Sunny-XE Euro

| Product | Type | Hoses/Performance |
|---------|------------|-------------------|
| 1 | SDA 1222.E | 2 × 40 L/min |
| 2 | SDA 2442.E | 4 × 40 L/min |
| 3 | SDB 3662.E | 6 × 40 L/min |
| 4 | SDB 4882.E | 8 × 40 L/min |

TECHNICAL & ENVIROMENTAL SPECIFICATION

| Flow rates | Accuracy | Power supply | Ambient temperature | Temperature of fluid | Relative humidity |
|--|---|------------------------------------|--|----------------------|-------------------|
| Standard speed flow rate: 40L/min | ± 0.25% with minimum dispensed volume 2L (/H – 5L,/UH – 10L) | 230/400 V AC, three phase 50 Hz | –20°C to +40°C (–40°C to +50°C with additional heating) | –40°C to + 50°C | 5% to 95% |
| High speed flow rate (/H): 80L/min | | | | | |
| Ultra high speed flow rate (/UH): 130L/min | | | | | |

STANDARD SPECIFICATION

- **Construction**
Galvanized or powder-painted carbon steel
- **Suction pumps**
Monoblock TATSUNO with gear pump, air separator and air sensor
- **Filter**
110 µm mesh input filter, 61 µm mesh output filter, stainless steel, reusable, easy to clean
- **Meters**
4 pistons volume meter TATSUNO
- **Pulsers**
Magnetic pulse transmitter TATSUNO ZE-1945 with electronic volume correction
- **Motors**
Ex three-phase motor, 3 x 400 V / 50 Hz, 0.75 kW, 1395 rpm
- **Control valves**
Electromagnetic proportional valve +24 V DC
- **Hoses**
ZVA hose, DN 16, DN 21 or DN 25 with reach of 4.2 m
- **Nozzles**
Automatic ZVA SLIM LINE 2 or ZVA SLIM LINE 2 GR
- **Calculator**
TBELTx with electronic volume/amount totalizers for every dispensing nozzle
- **Displays**
LCD with LED backlight with 6 digits for amount and volume and 5 digits for unit price
- **Fuel types**
Petrol, Diesel, BioDiesel, Ethanol (E85)

OPTIONS

- Vapour Recovery System
- Foundation frame
- Sight glass in hose
- Payment terminal – integrated solution for wide range of terminals
- Single phase supply
- Proportional graphics display with customer text messages
- Infra-red remote controller
- Pulse interface
- Volume and amount preset function via push buttons
- Wide range of data line communication protocol converters
- Satellite
- Main safety switch (TOTAL STOP)
- Breakaway couplings
- PDEX calculators with electronic volume/amount totalizers for every dispensing nozzle
- Submersible version
- Voice module
- 40/80 speed selection
- Flexible connection pipe
- Electro-mechanical totalizers
- Various colour performance
- Variable hose length up to 8.0 m
- Automatic temperature volume correction (ATC)
- Customised versions
- Housing – stainless steel
- Ultra high speed flow rate 160L/min with LOBE flow meter