

1100mm x 800mm GRP solid base sump and corbel to fit Tokheim Quantum Q510 , 4-6. Includes dispenser support rails, 3 shear valve rails and all fixings.

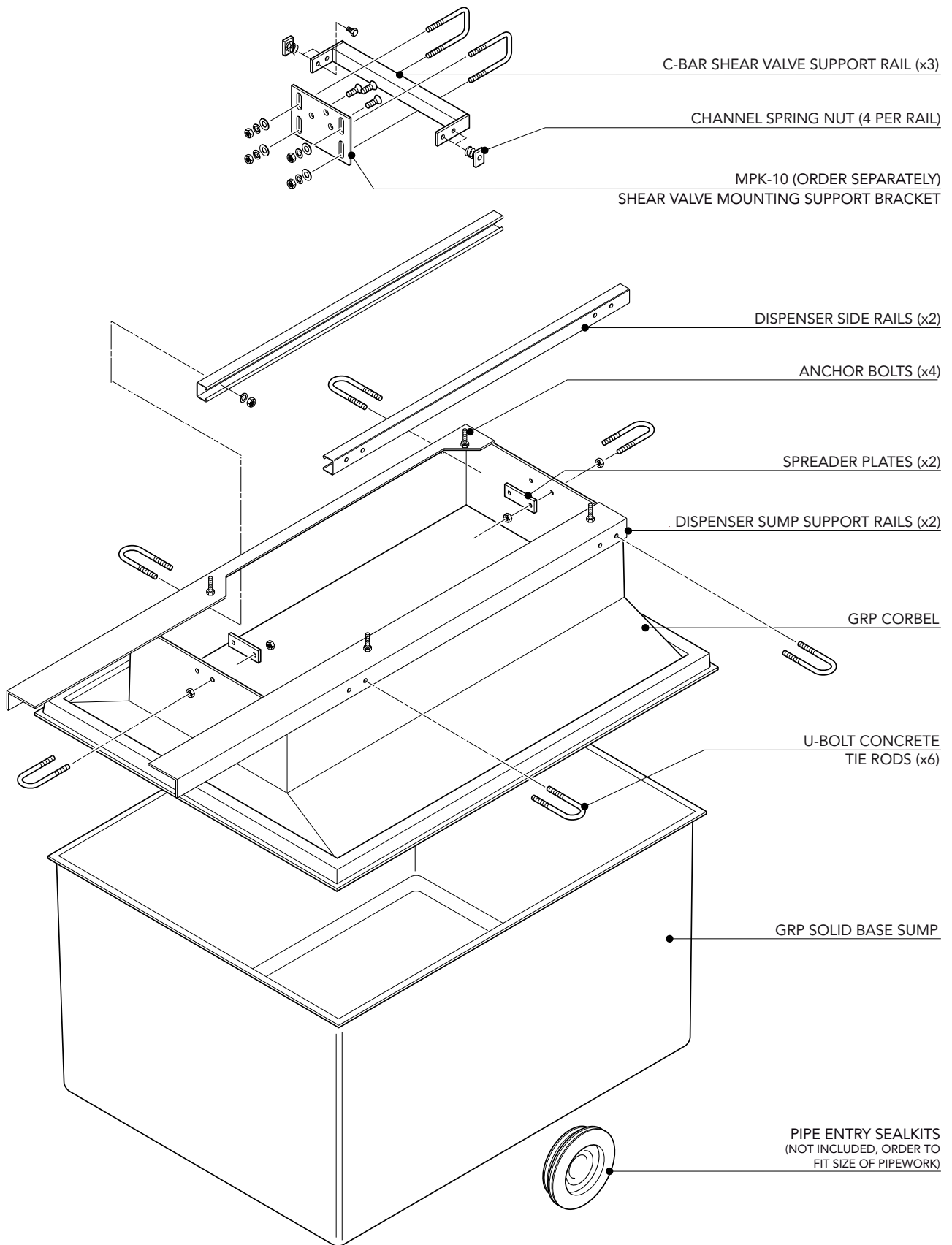
EL-T-Q510-3-6

© Copyright

Issue: 13/08/2015

Page: 1 of 3





1100mm x 800mm GRP solid base sump and corbel to fit Tokheim Quantum Q510 , 4-6. Includes dispenser support rails, 3 shear valve rails and all fixings.

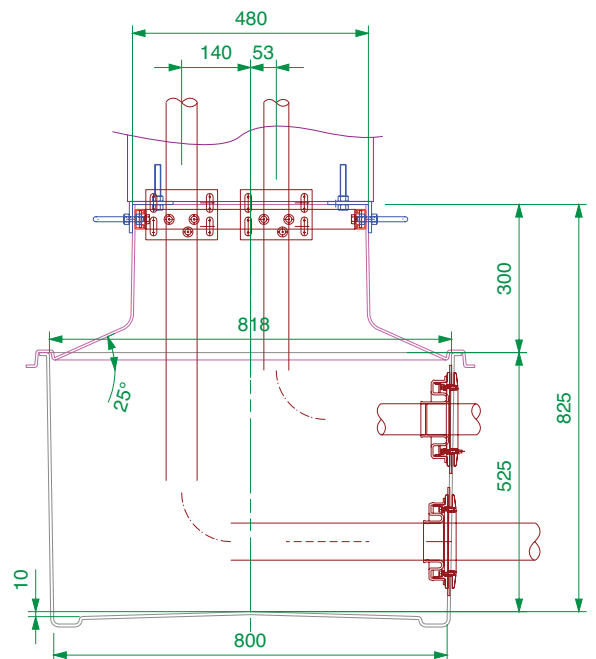
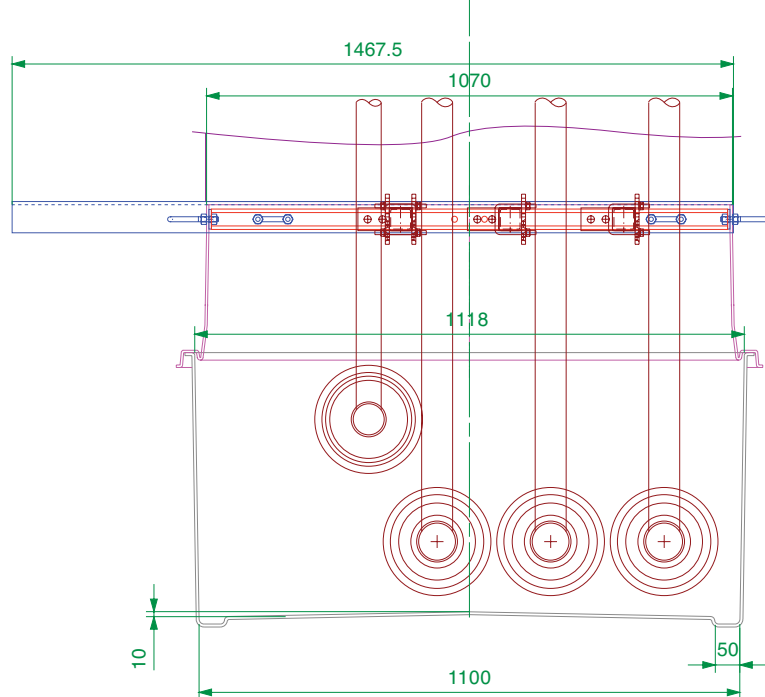
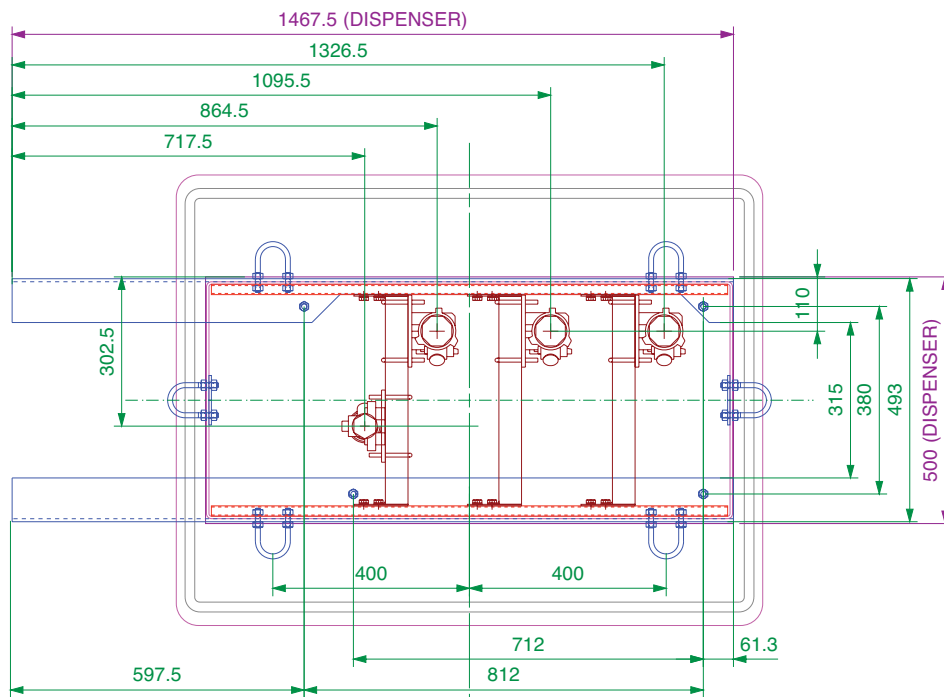
EL-T-Q510-3-6

© Copyright

Issue: 13/08/2015

Page: 2 of 3





1100mm x 800mm GRP solid base sump and corbel to fit Tokheim Quantum Q510 , 4-6. Includes dispenser support rails, 3 shear valve rails and all fixings.