

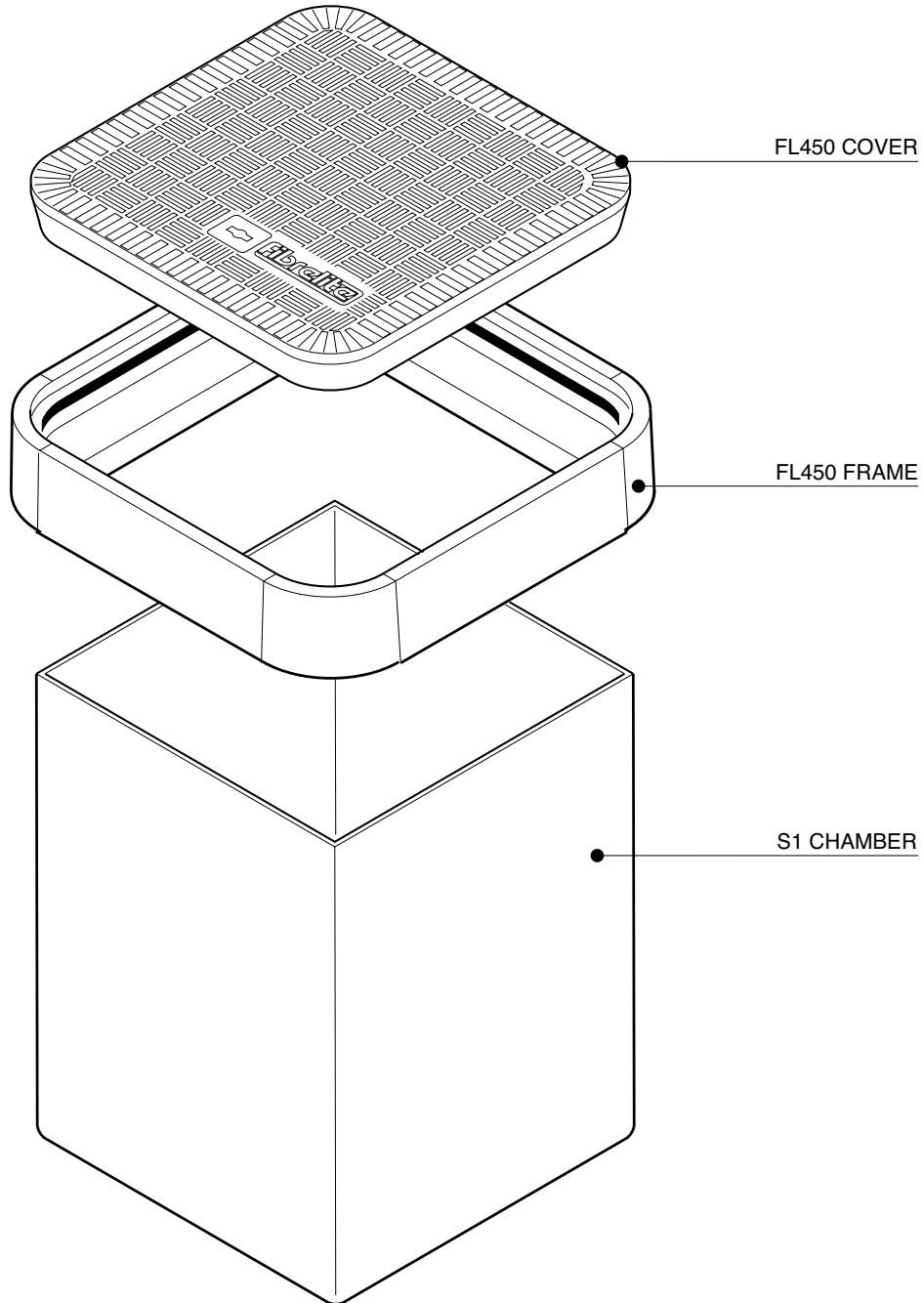
Category: **FIXED HEIGHT ROUND CHAMBER SYSTEMS**

Product Description: 450mm square x 600mm deep solid base chamber with a square 450mm flat sealed cover and frame.

Page No: **1**

Product Code: **S1-1450**

Date: **July 2014**



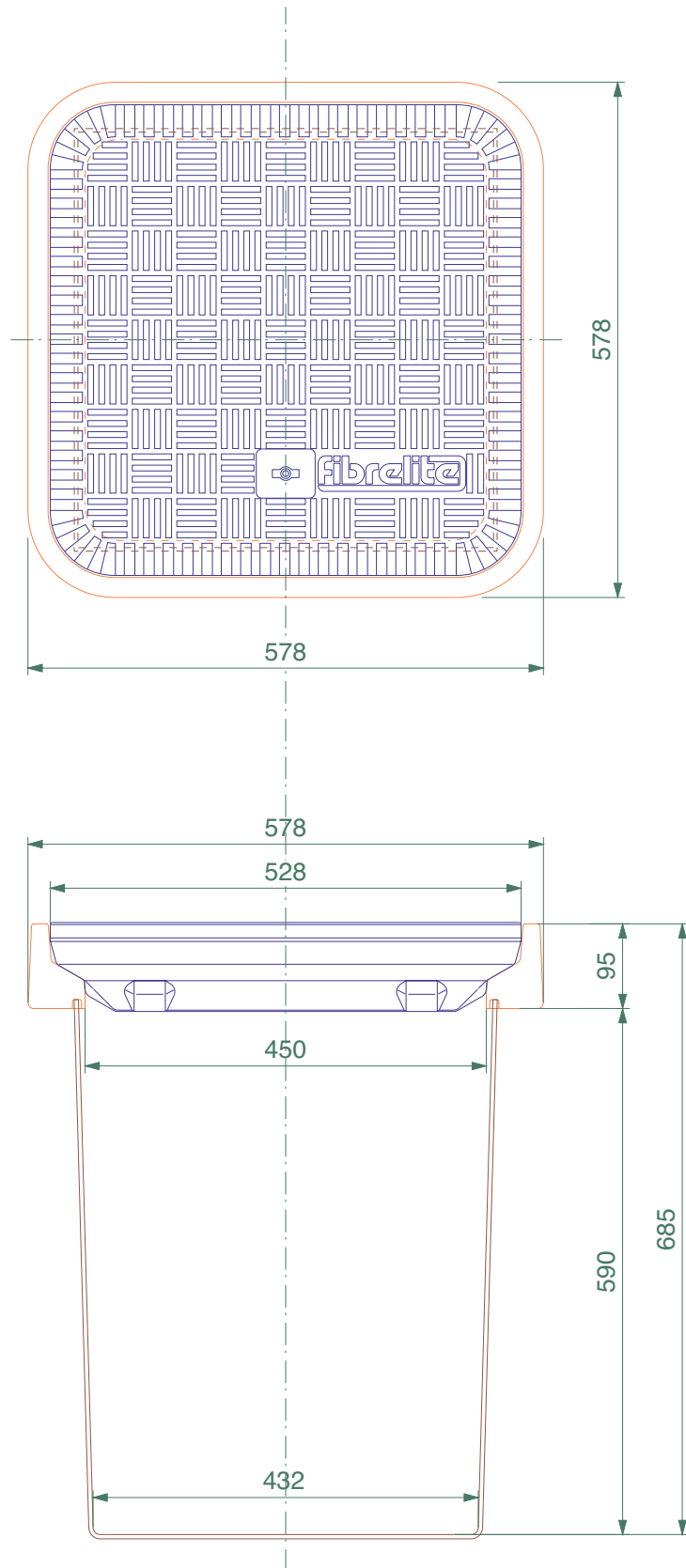
Category: **FIXED HEIGHT ROUND CHAMBER SYSTEMS**

Product Description: 450mm square x 600mm deep solid base chamber with a square 450mm flat sealed cover and frame.

Page No: **2**

Product Code: **S1-1450**

Date: **July 2014**



Category: **FIXED HEIGHT ROUND CHAMBER SYSTEMS**

Product Description: 450mm square x 600mm deep solid base chamber with a square 450mm flat sealed cover and frame.

Page No: **3**

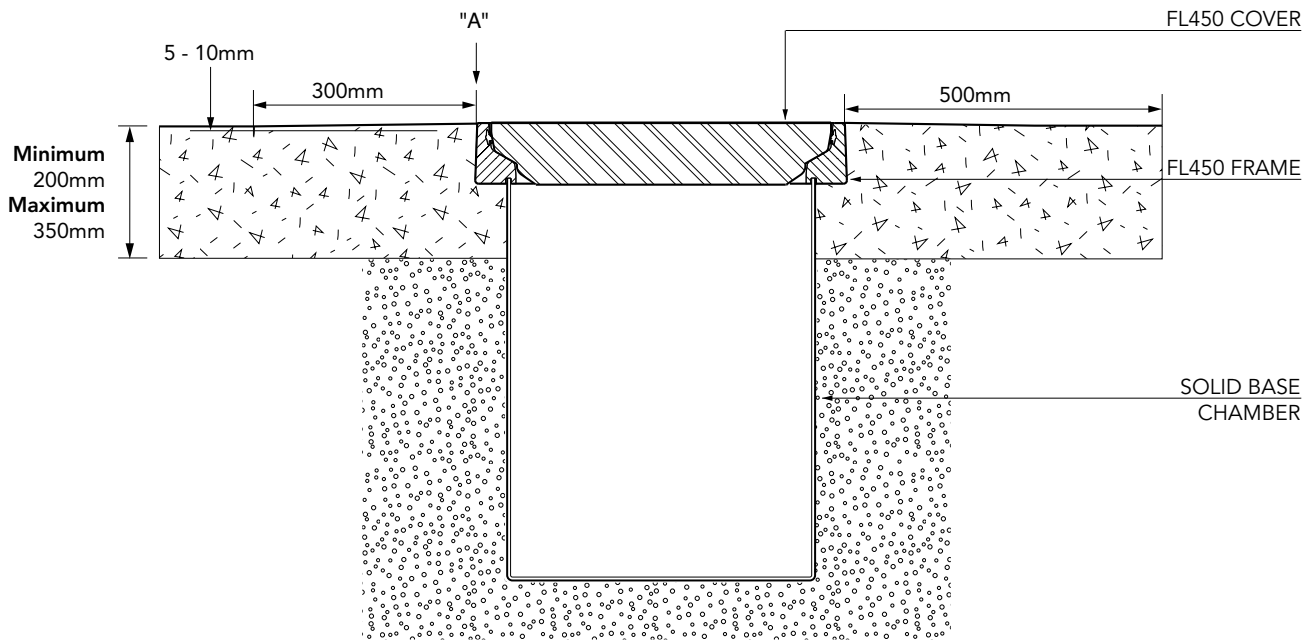
Product Code: **S1-1450**

Date: **July 2014**

**VERY IMPORTANT**  
 OUTER EDGE "A" OF FRAME SET 5 - 10MM  
 ABOVE GENERAL FORECOURT AREA WITH  
 CONCRETE RAMPED AWAY OVER 300MM.

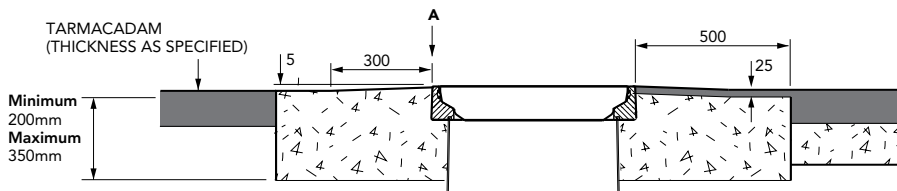
**TYPICAL INSTALLATION**

**CONCRETE**

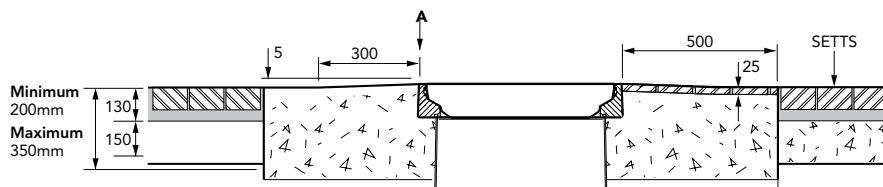


**ALTERNATIVE INSTALLATION ADVICE**

**TARMACADAM**



**SETTS**



Category: **FIXED HEIGHT ROUND CHAMBER SYSTEMS**

Product Description: 450mm square x 600mm deep solid base chamber with a square 450mm flat sealed cover and frame.

Page No: **4**

Product Code: **S1-1450**

Date: **July 2014**