

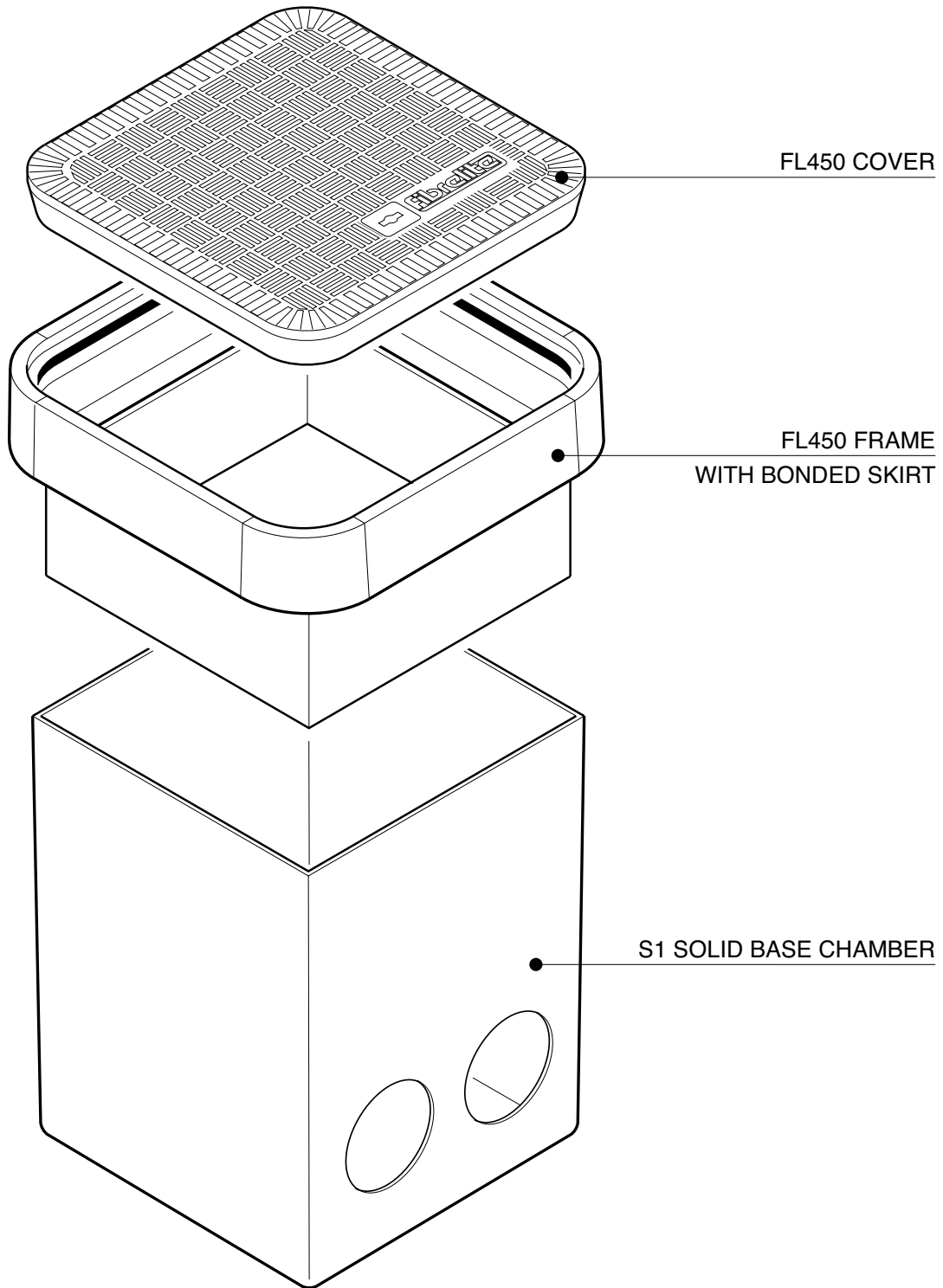
Category: **HEIGHT ADJUSTABLE SQUARE CHAMBER SYSTEMS**

Product Description: Electrical Drawpit 450mm square x 600mm GRP base chamber with a 210mm deep skirt and square 450mm flat sealed cover.

Page No: **1**

Product Code: **S1-3450/SKIRT**

Date: **November 2011**



FIBRELITE

Category: **HEIGHT ADJUSTABLE SQUARE CHAMBER SYSTEMS**

Product Description: Electrical Drawpit 450mm square x 600mm GRP base chamber with a 210mm deep skirt and square 450mm flat sealed cover.

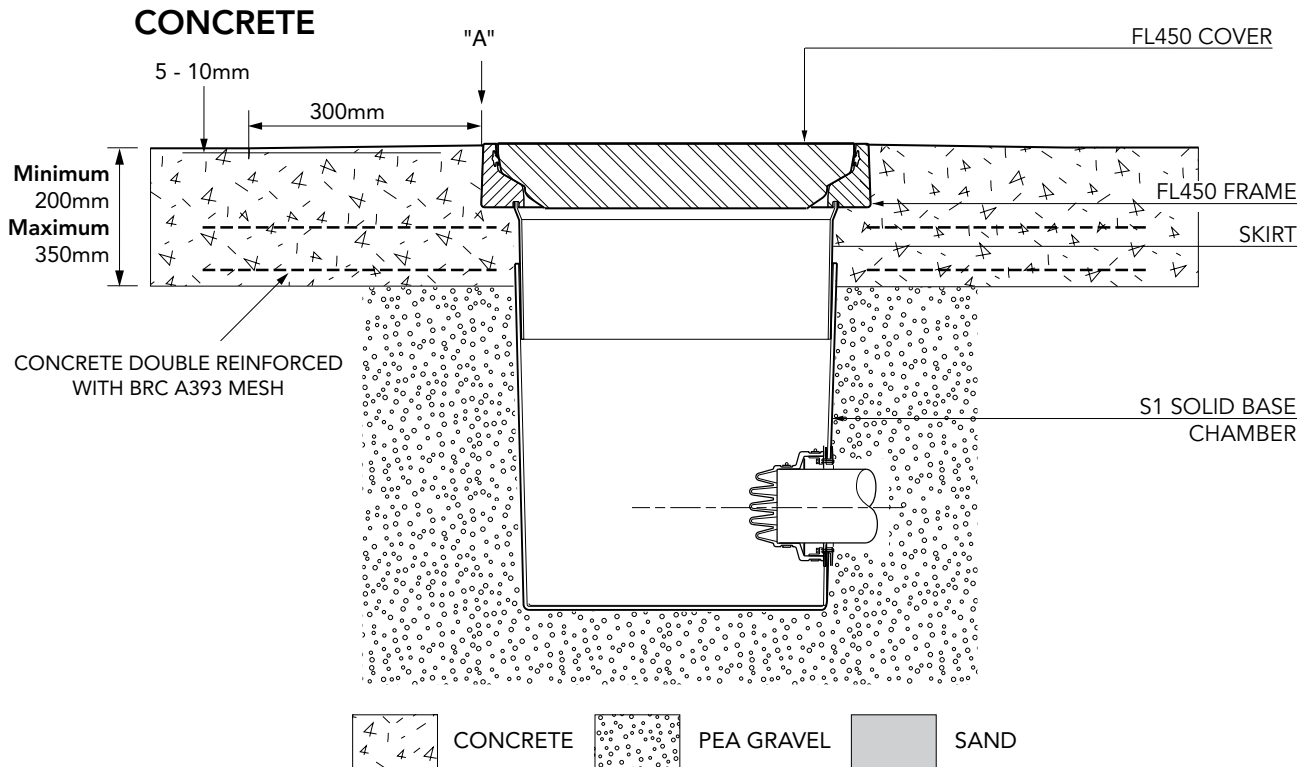
Page No: **2**

Product Code: **S1-3450/SKIRT**

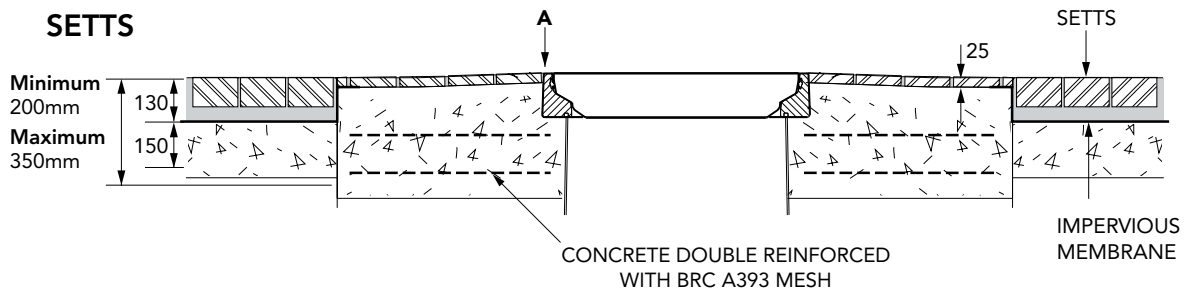
Date: **November 2011**

VERY IMPORTANT
 OUTER EDGE "A" OF FRAME
 SET 5 - 10MM ABOVE GENERAL
 FORECOURT AREA WITH
 CONCRETE RAMPED AWAY
 OVER 300MM

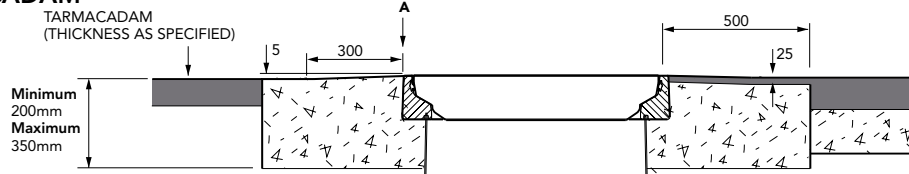
TYPICAL INSTALLATION



ALTERNATIVE INSTALLATION ADVICE



TARMACADAM



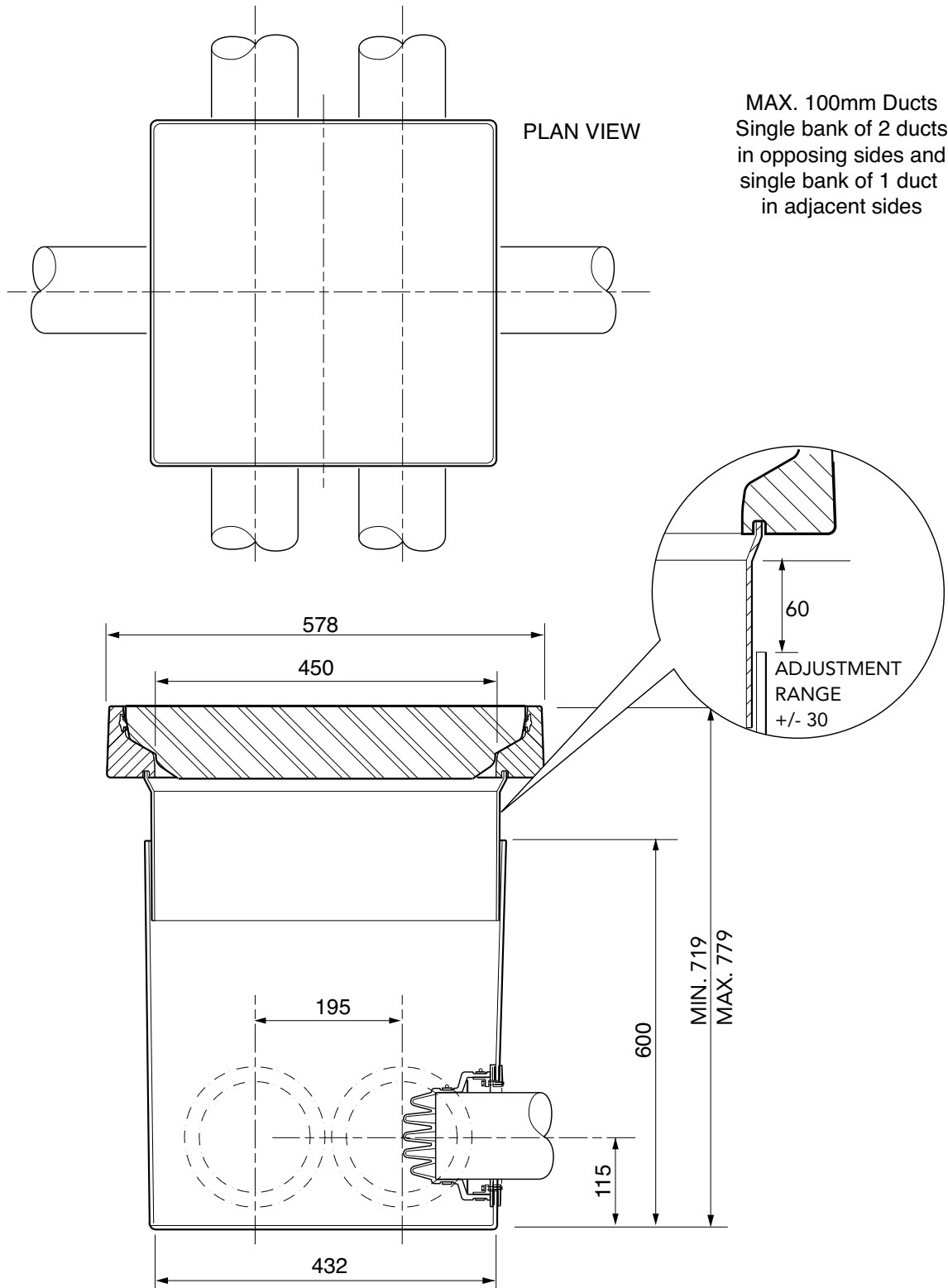
Category: **HEIGHT ADJUSTABLE SQUARE CHAMBER SYSTEMS**

Product Description: Electrical Drawpit 450mm square x 600mm GRP base chamber with a 210mm deep skirt and square 450mm flat sealed cover.

Page No: **3**

Product Code: **S1-3450/SKIRT**

Date: **November 2011**



Category: **HEIGHT ADJUSTABLE SQUARE CHAMBER SYSTEMS**

Product Description: Electrical Drawpit 450mm square x 600mm GRP base chamber with a 210mm deep skirt and square 450mm flat sealed cover.

Page No: **4**

Product Code: **S1-3450/SKIRT**

Date: **November 2011**