

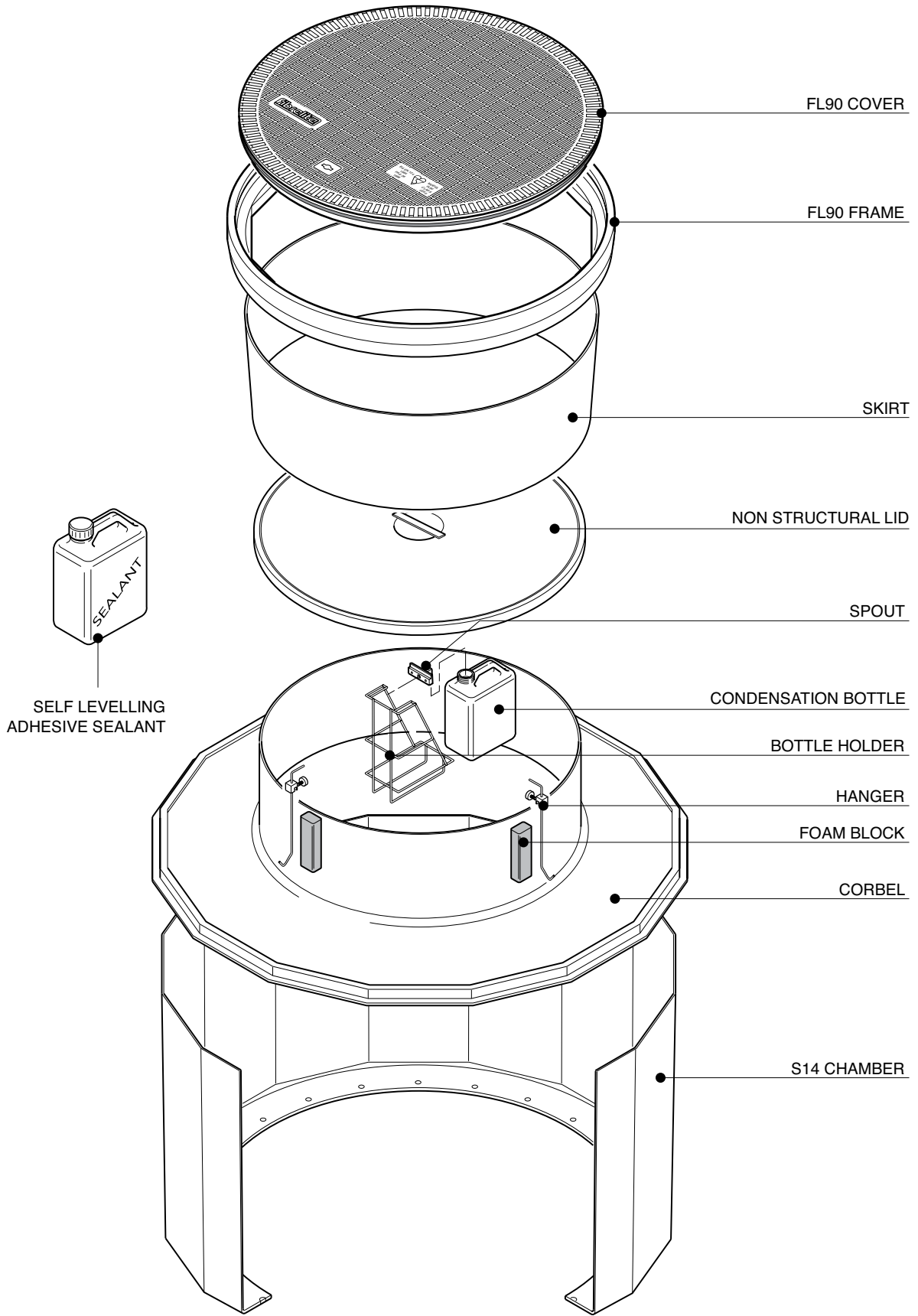
Category: **HEIGHT ADJUSTABLE ROUND CHAMBER SYSTEMS**

Product Description: 1.4m diameter bolted base chamber, with a corbel, adjustable height skirt, 900mm dia. water tight flat sealed cover and frame.

Page No: **1**

Product Code: **S14-390**

Date: **July 2014**



FIBRELITE

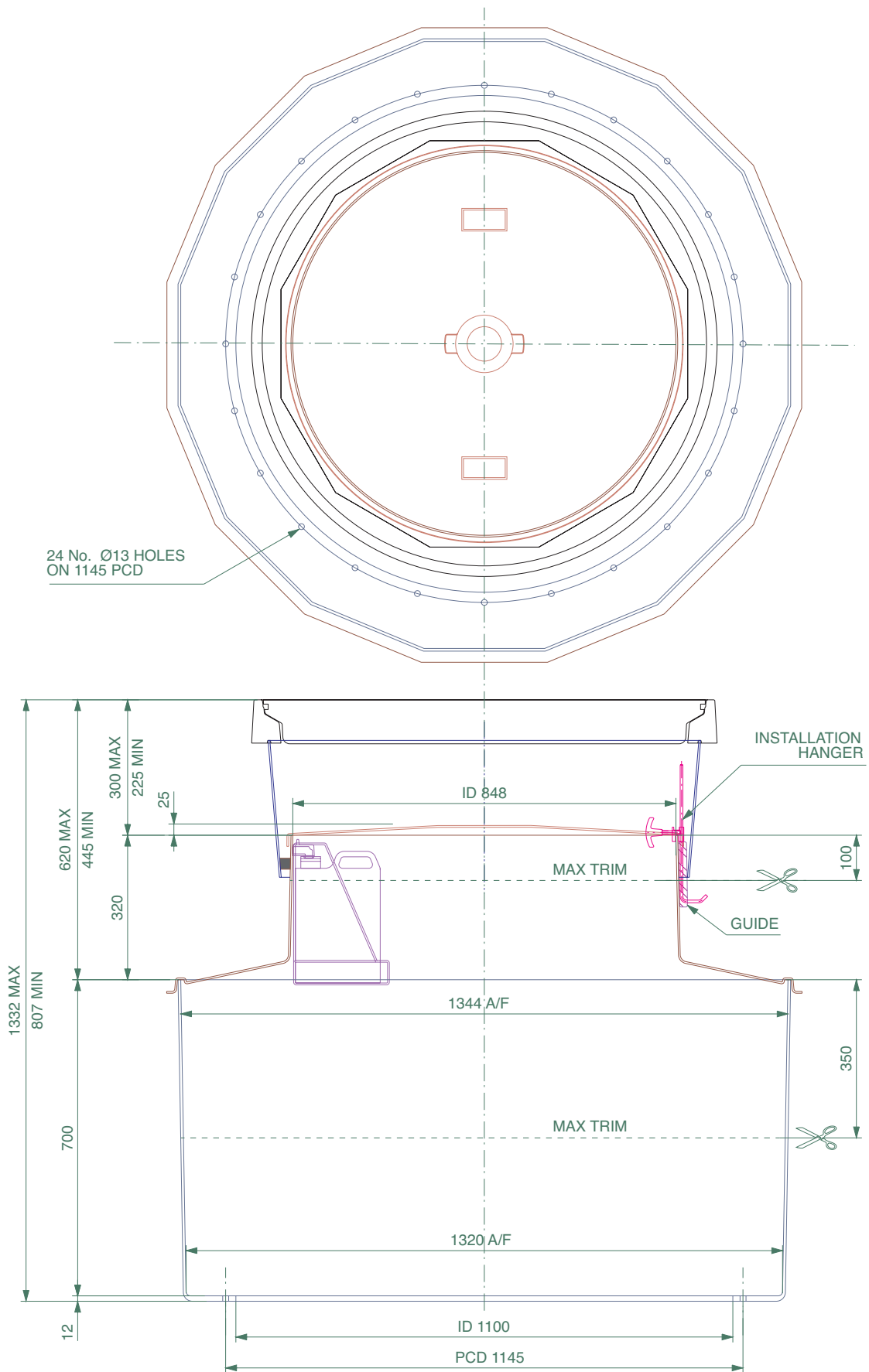
Category: **HEIGHT ADJUSTABLE ROUND CHAMBER SYSTEMS**

Product Description: 1.4m diameter bolted base chamber, with a corbel, adjustable height skirt, 900mm dia. water tight flat sealed cover and frame.

Page No: **2**

Product Code: **S14-390**

Date: **July 2014**



Category: **HEIGHT ADJUSTABLE ROUND CHAMBER SYSTEMS**

Product Description: 1.4m diameter bolted base chamber, with a corbel, adjustable height skirt, 900mm dia. water tight flat sealed cover and frame.

Page No: **3**

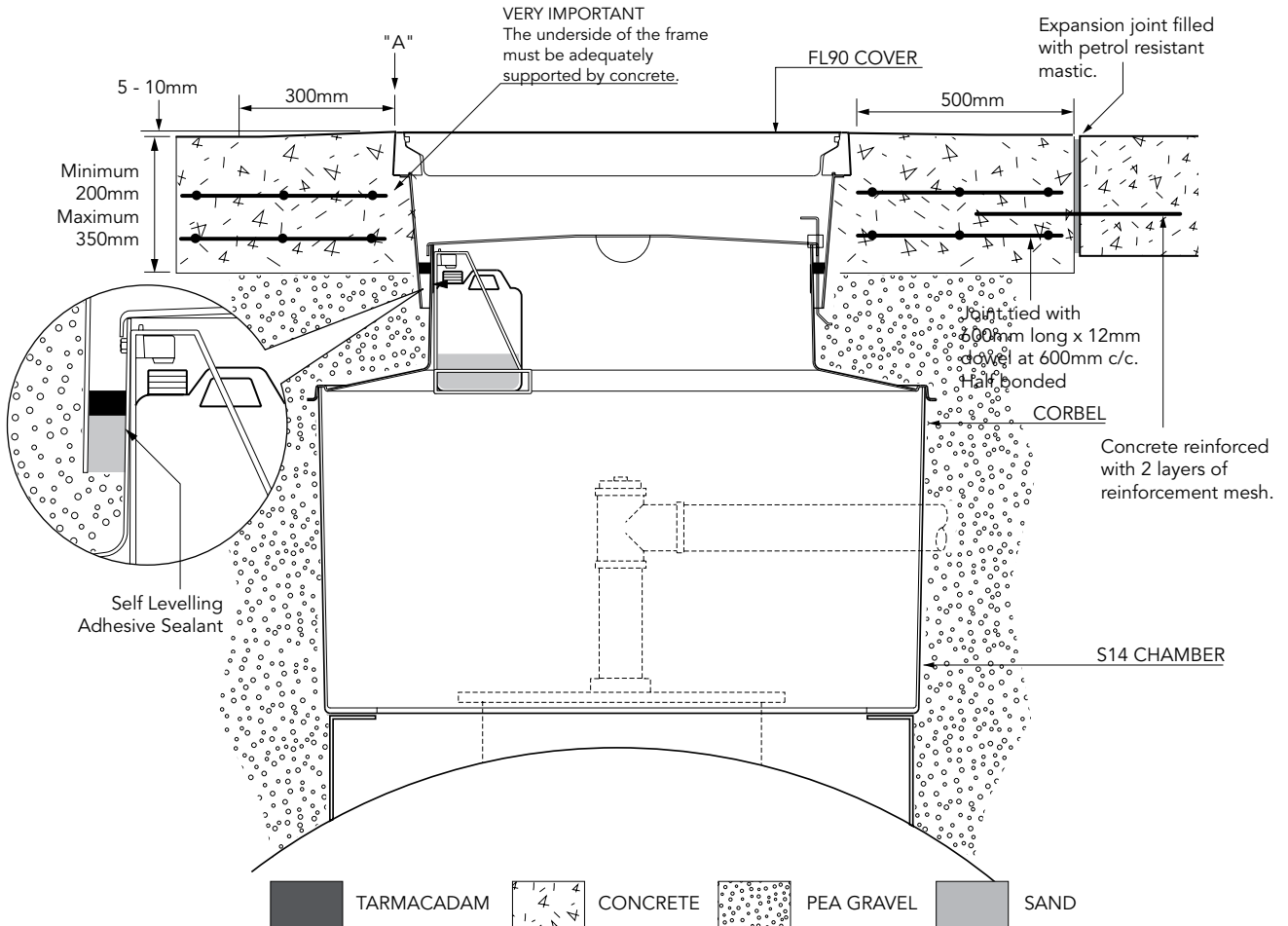
Product Code: **S14-390**

Date: **July 2014**

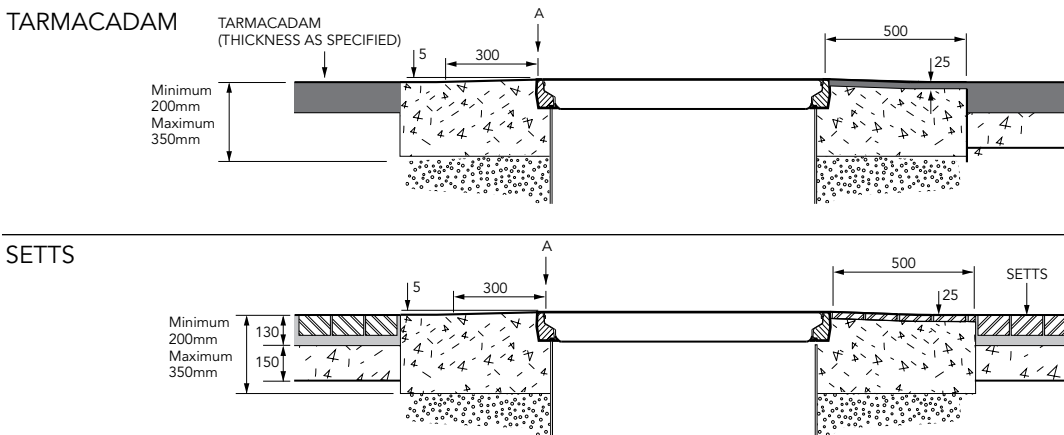
VERY IMPORTANT
 OUTER EDGE "A" OF FRAME SET 5 - 10MM
 ABOVE GENERAL FORECOURT AREA WITH
 CONCRETE RAMPED AWAY OVER 300MM.

TYPICAL INSTALLATION

CONCRETE



ALTERNATIVE INSTALLATION ADVICE



Category: **HEIGHT ADJUSTABLE ROUND CHAMBER SYSTEMS**

Product Description: 1.4m diameter bolted base chamber, with a corbel, adjustable height skirt, 900mm dia. water tight flat sealed cover and frame.

Page No: **4**

Product Code: **S14-390**

Date: **July 2014**