

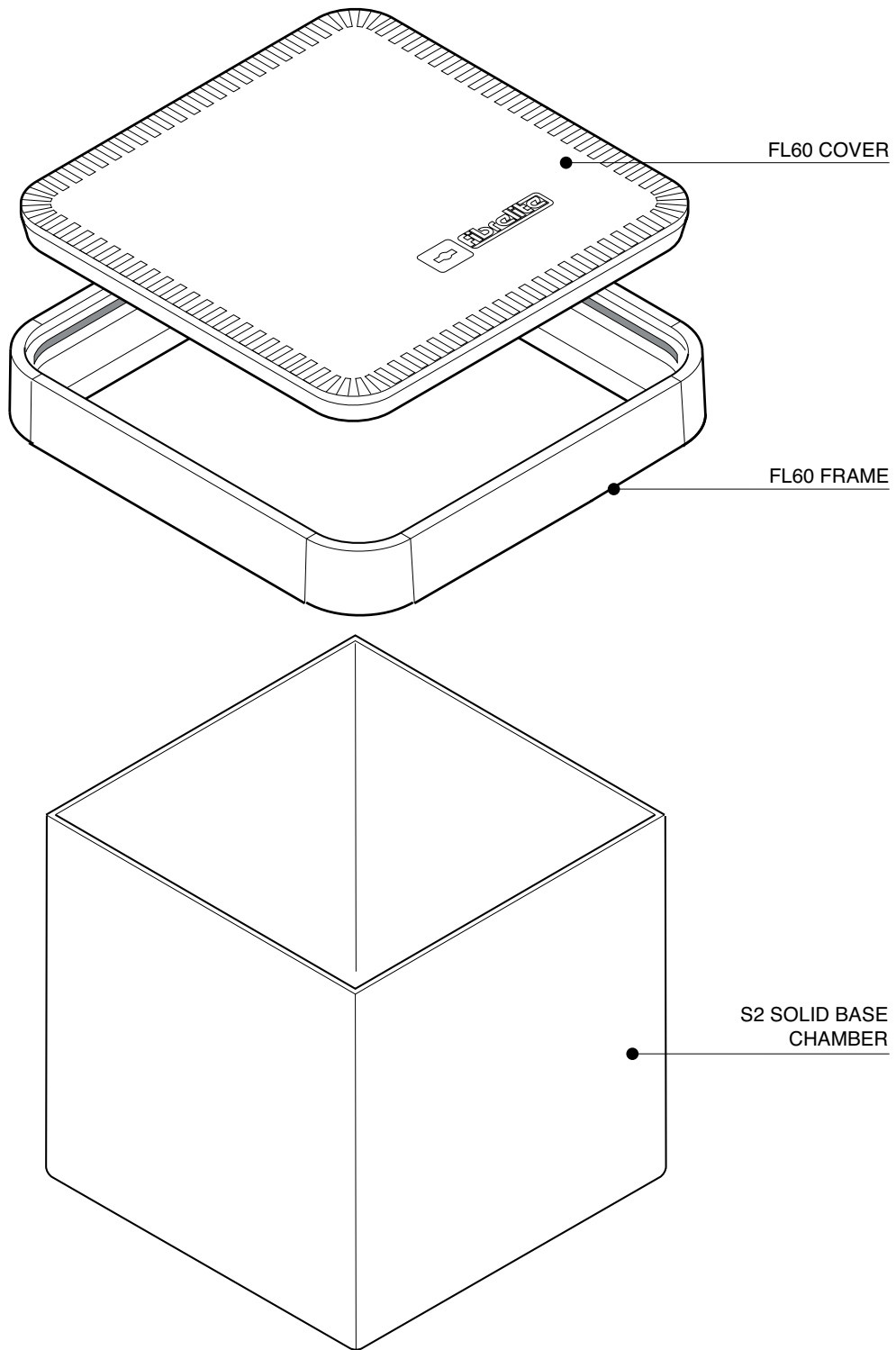
Category: **DIRECT TO FRAME SQUARE CHAMBER SYSTEMS**

Product Description: 600mm square x 600mm deep solid base chamber with a square 600mm flat sealed cover.

Page No: **1**

Product Code: **S2-160**

Date: **March 2014**



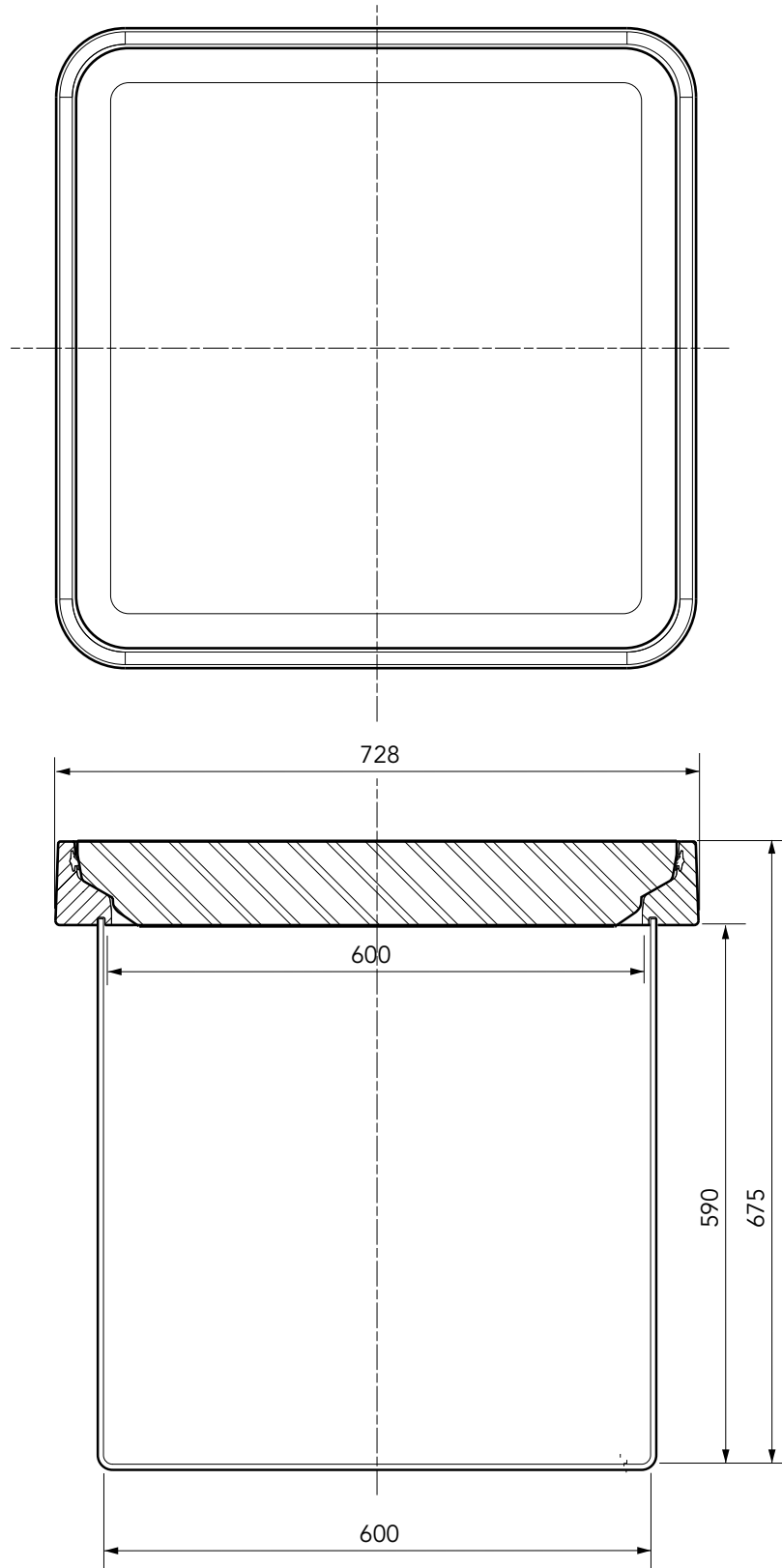
Category: **DIRECT TO FRAME SQUARE CHAMBER SYSTEMS**

Product Description: 600mm square x 600mm deep solid base chamber with a square 600mm flat sealed cover.

Page No: **2**

Product Code: **S2-160**

Date: **March 2014**



Category: **DIRECT TO FRAME SQUARE CHAMBER SYSTEMS**

Product Description: 600mm square x 600mm deep solid base chamber with a square 600mm flat sealed cover.

Page No: **3**

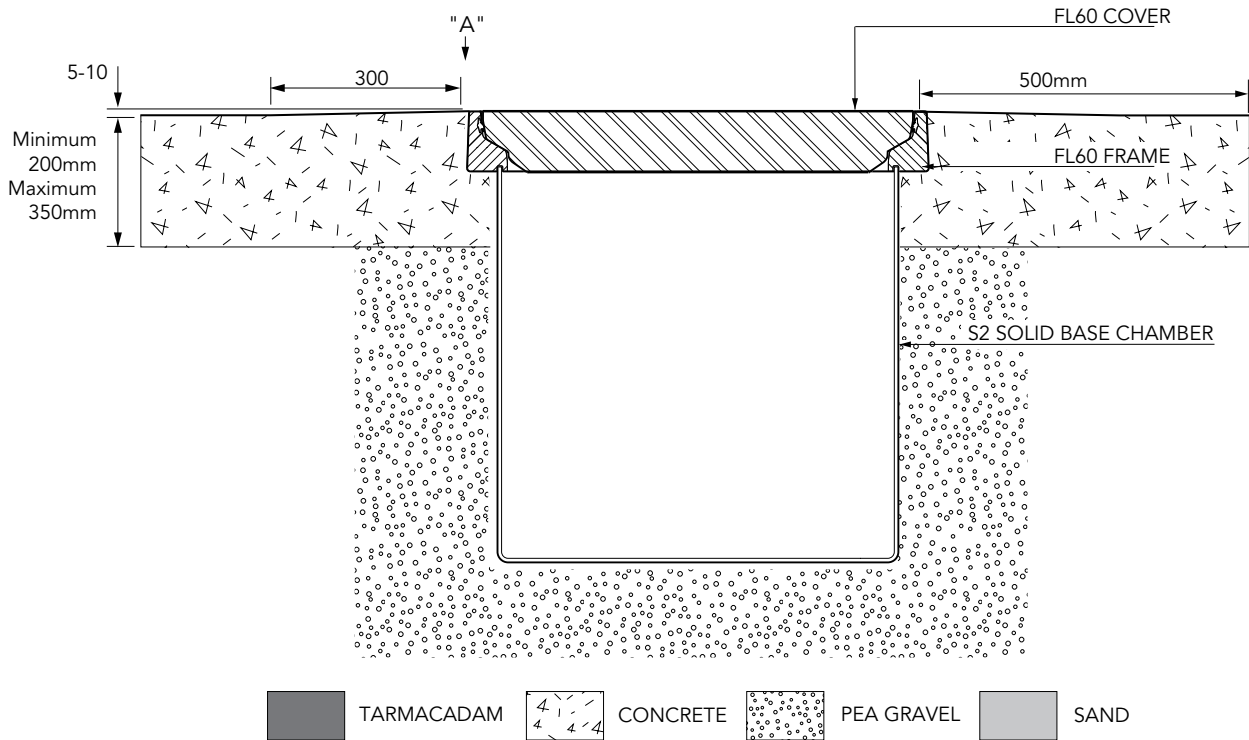
Product Code: **S2-160**

Date: **March 2014**

TYPICAL INSTALLATION

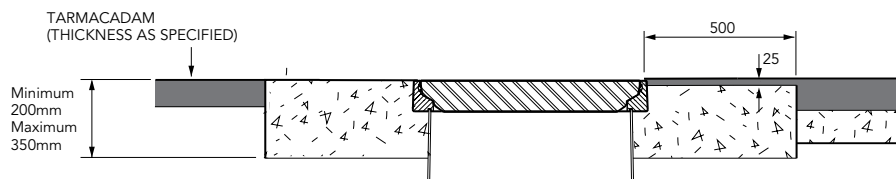
CONCRETE

VERY IMPORTANT
 OUTER EDGE "A" OF FRAME
 SET 5 - 10MM ABOVE GENERAL
 FORECOURT AREA WITH
 CONCRETE RAMPED AWAY
 OVER 300MM

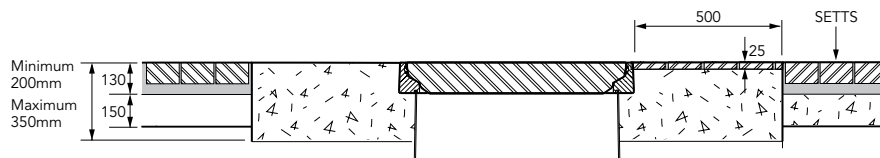


ALTERNATIVE INSTALLATION ADVICE

TARMACADAM



SETTS



Category: **DIRECT TO FRAME SQUARE CHAMBER SYSTEMS**

Product Description: 600mm square x 600mm deep solid base chamber with a square 600mm flat sealed cover.

Page No: **4**

Product Code: **S2-160**

Date: **March 2014**