

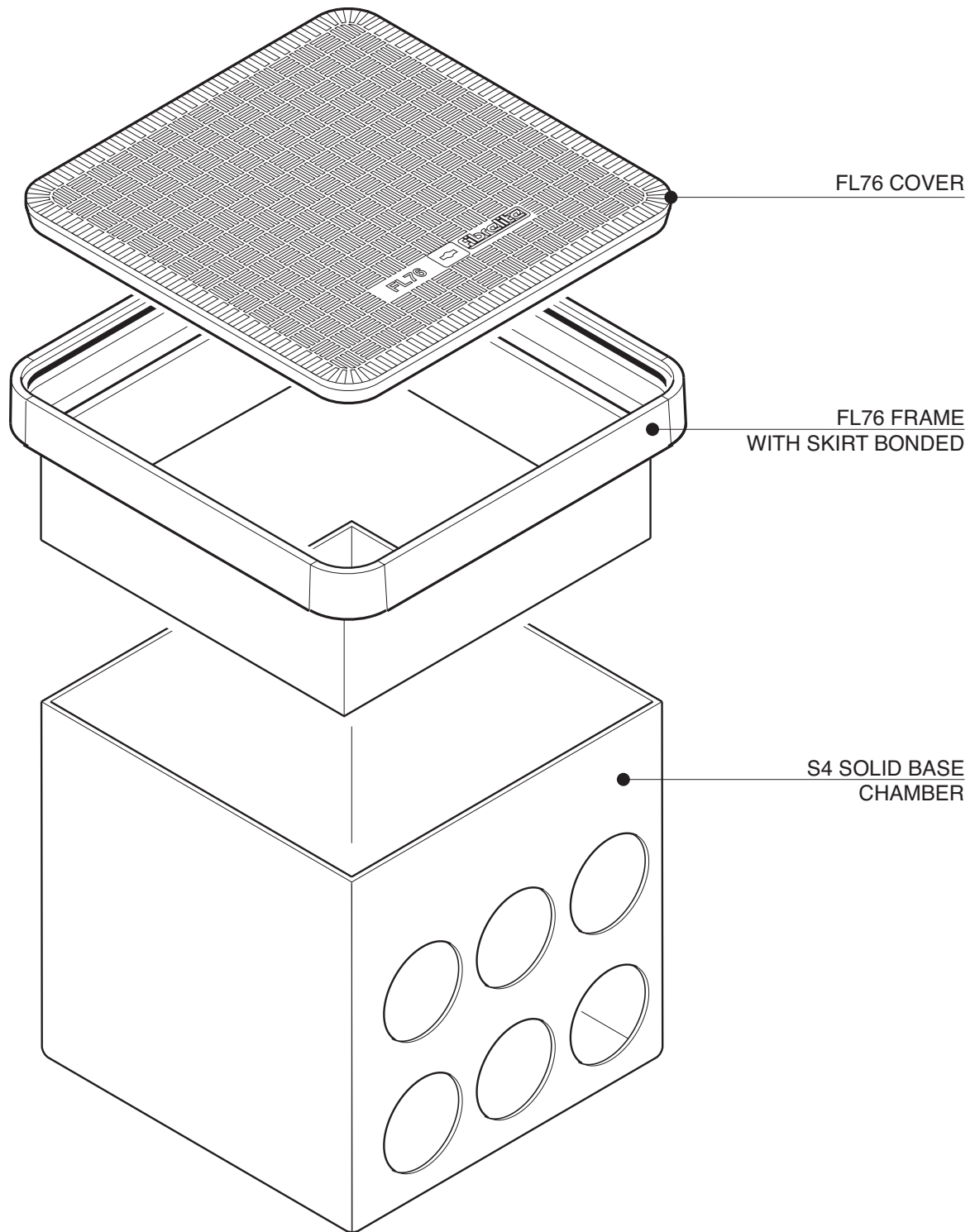
Category: **HEIGHT ADJUSTABLE SQUARE CHAMBER SYSTEMS**

Product Description: Electrical Drawpit 760mm square x 760mm deep GRP chamber with a 210mm deep skirt and square 760mm flat sealed cover.

Page No: **1**

Product Code: **S4-376/SKIRT**

Date: **November 2011**



Category: **HEIGHT ADJUSTABLE SQUARE CHAMBER SYSTEMS**

Product Description: Electrical Drawpit 760mm square x 760mm deep GRP chamber with a 210mm deep skirt and square 760mm flat sealed cover.

Page No: **2**

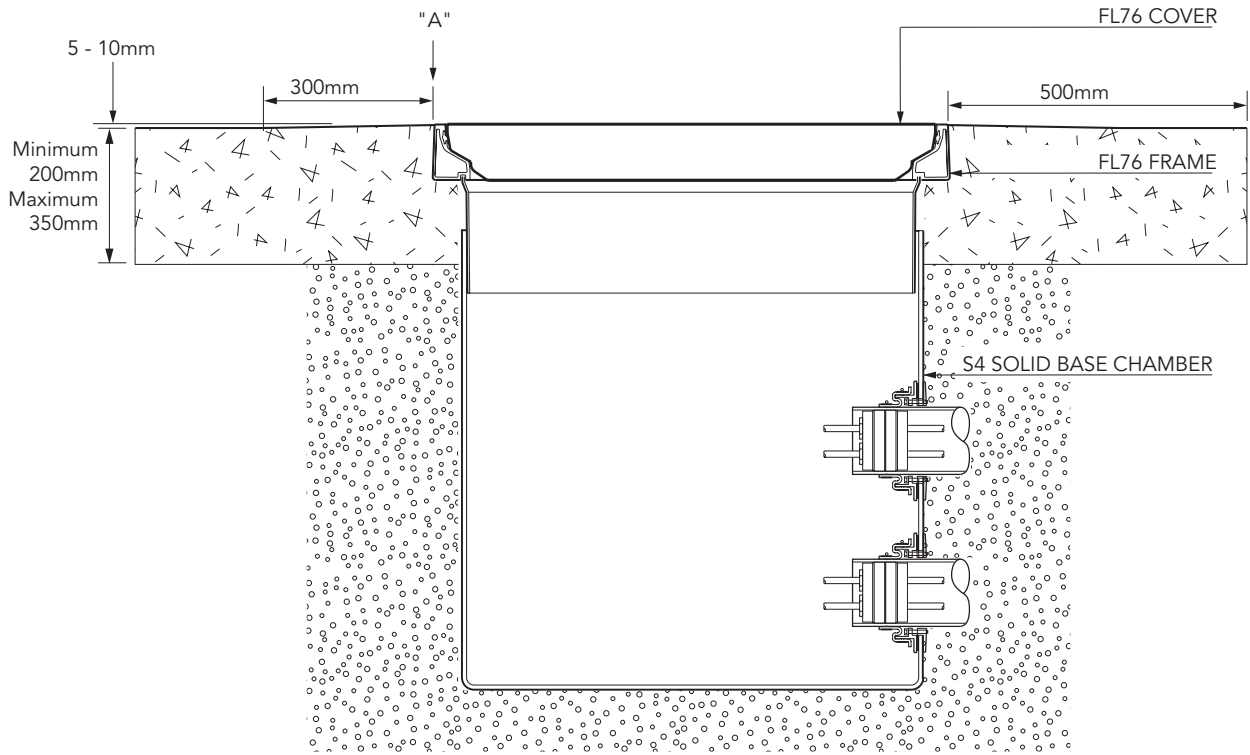
Product Code: **S4-376/SKIRT**

Date: **November 2011**

**VERY IMPORTANT**  
 OUTER EDGE "A" OF FRAME SET 5 - 10MM  
 ABOVE GENERAL FORECOURT AREA WITH  
 CONCRETE RAMPED AWAY OVER 300MM.

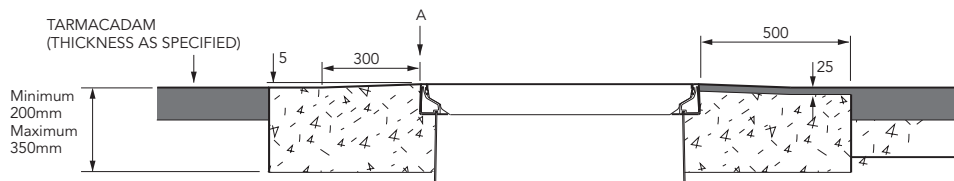
TYPICAL INSTALLATION

CONCRETE

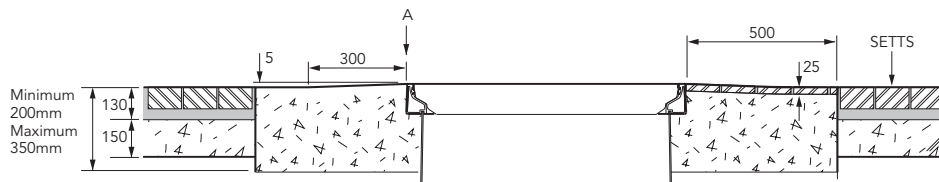


ALTERNATIVE INSTALLATION ADVICE

TARMACADAM



SETTS



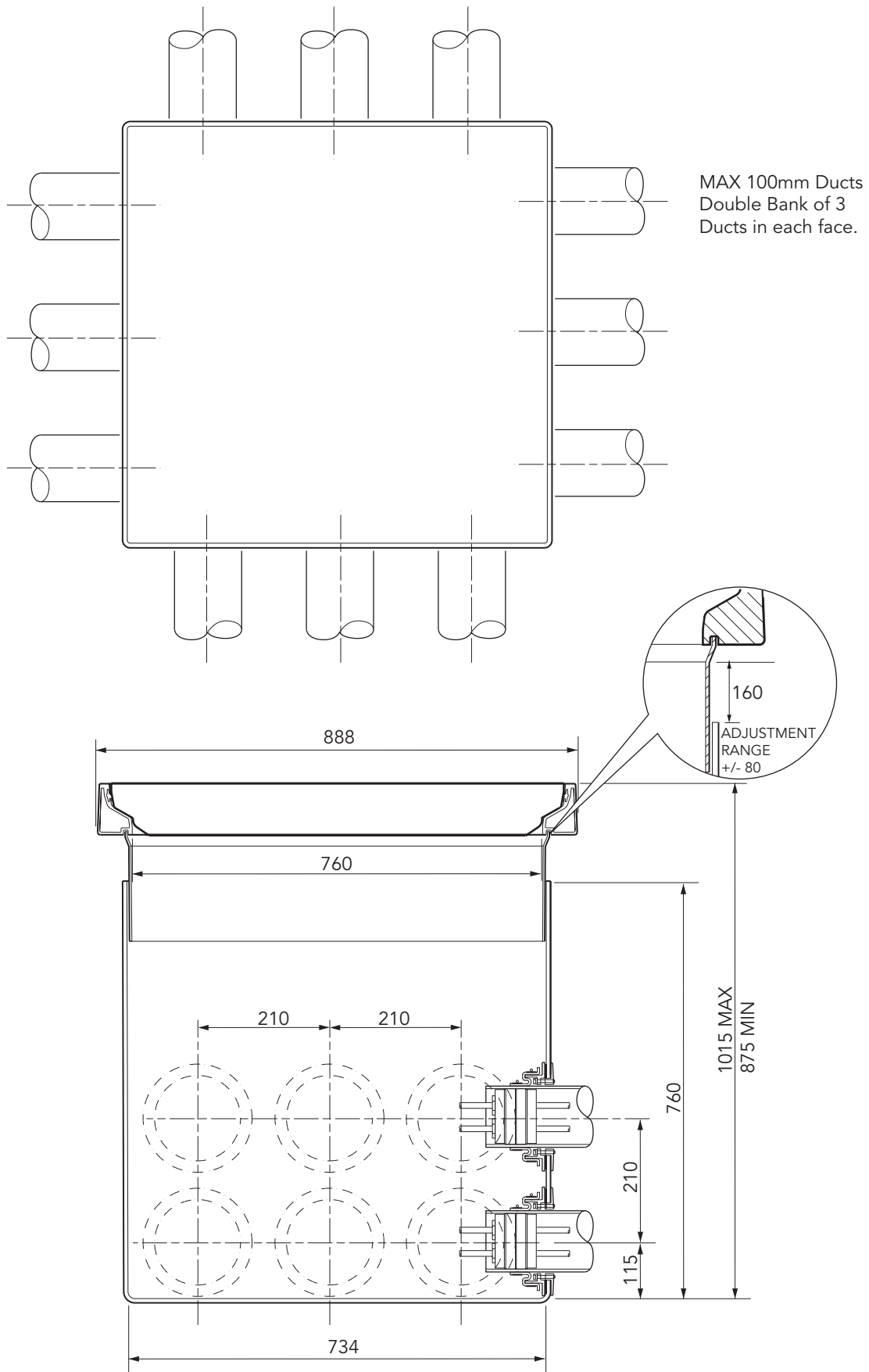
Category: **HEIGHT ADJUSTABLE SQUARE CHAMBER SYSTEMS**

Product Description: Electrical Drawpit 760mm square x 760mm deep GRP chamber with a 210mm deep skirt and square 760mm flat sealed cover.

Page No: **3**

Product Code: **S4-376/SKIRT**

Date: **November 2011**



Category: **HEIGHT ADJUSTABLE SQUARE CHAMBER SYSTEMS**

Product Description: Electrical Drawpit 760mm square x 760mm deep GRP chamber with a 210mm deep skirt and square 760mm flat sealed cover.

Page No: **4**

Product Code: **S4-376/SKIRT**

Date: **November 2011**