

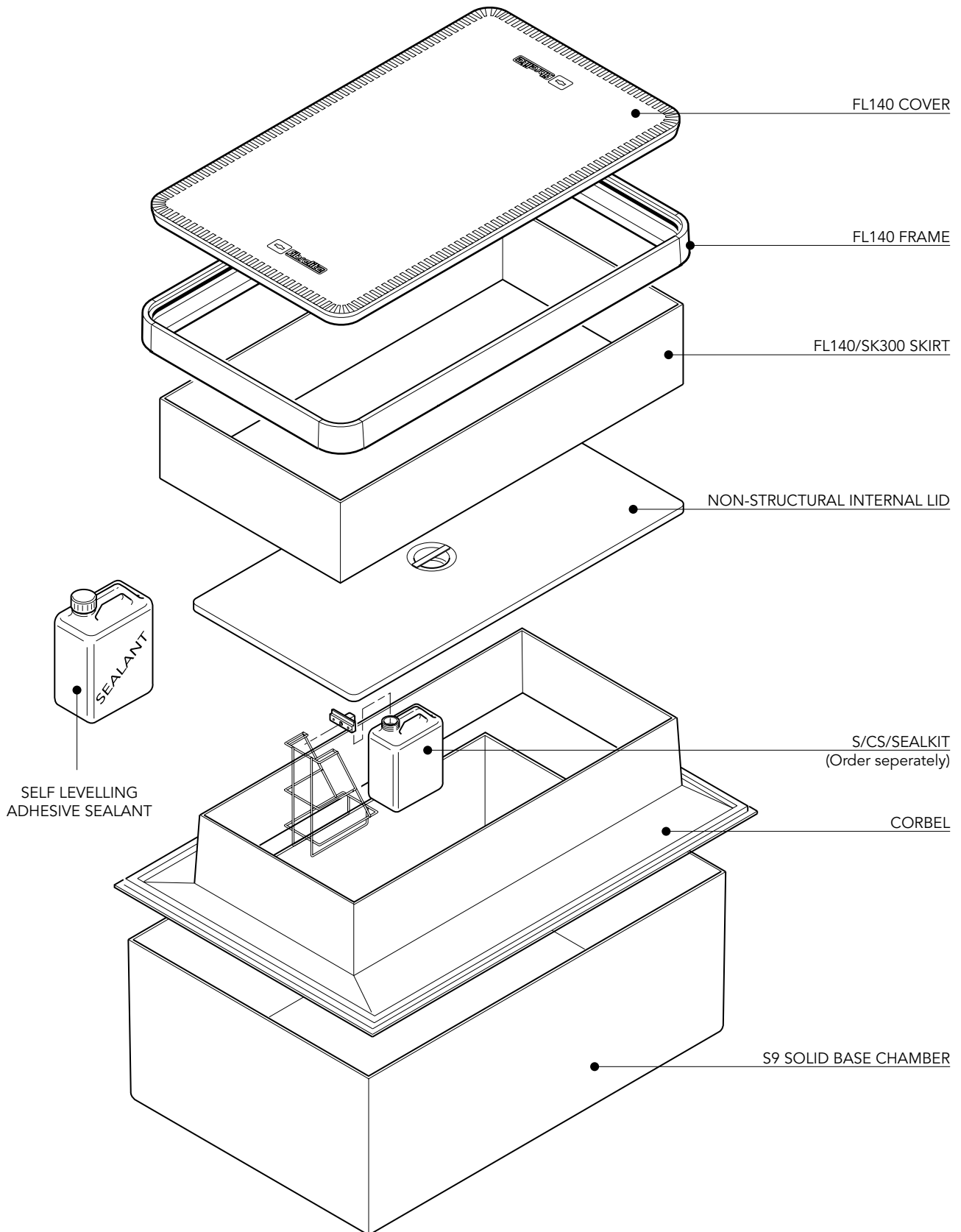
Category: **PIPEWORK TRANSITION SUMP**

Product Description: 1470 x 990mm solid base chamber, corbel, adjustable skirt, internal lid and flat sealed cover with frame.

Page No: **1**

Product Code: **S9-3140**

Date: **March 2014**



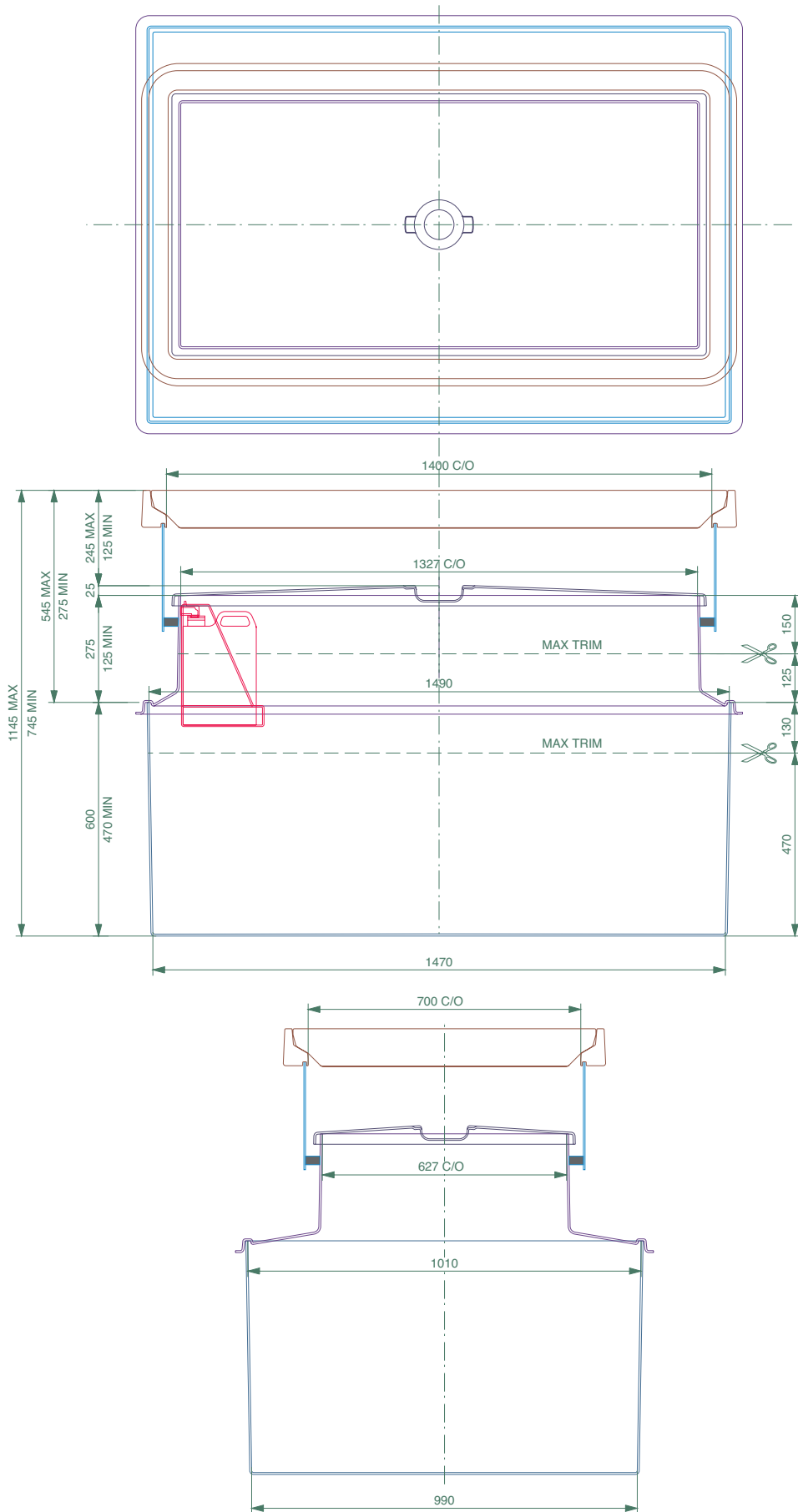
Category: **PIPEWORK TRANSITION SUMP**

Product Description: 1470 x 990mm solid base chamber, corbel, adjustable skirt, internal lid and flat sealed cover with frame.

Page No: **2**

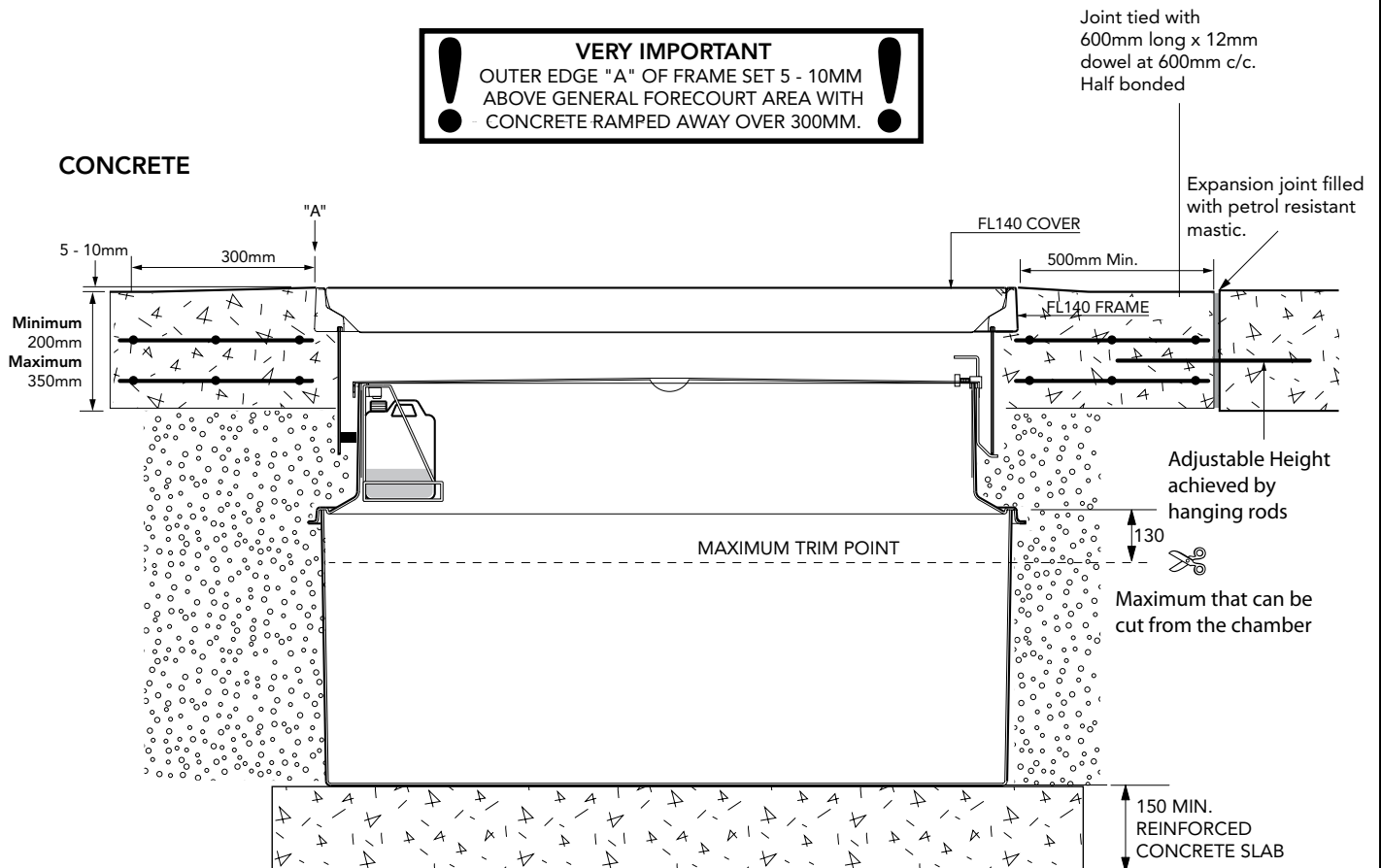
Product Code: **S9-3140**

Date: **March 2014**



Category:	PIPEWORK TRANSITION SUMP		
Product Description:	1470 x 990mm solid base chamber, corbel, adjustable skirt, internal lid and flat sealed cover with frame.		
Page No:	3	Product Code:	S9-3140
		Date:	March 2014

VERY IMPORTANT
 OUTER EDGE "A" OF FRAME SET 5 - 10MM
 ABOVE GENERAL FORECOURT AREA WITH
 CONCRETE RAMPED AWAY OVER 300MM.



TARMACADAM
 CONCRETE
 PEA GRAVEL
 SAND



Category:	PIPEWORK TRANSITION SUMP		
Product Description:	1470 x 990mm solid base chamber, corbel, adjustable skirt, internal lid and flat sealed cover with frame.		
Page No:	4	Product Code:	S9-3140
		Date:	March 2014