

1462 x 982mm solid base deep sump, sealed corbel, height adjustable skirt, internal lid, flat sealed cover and frame.

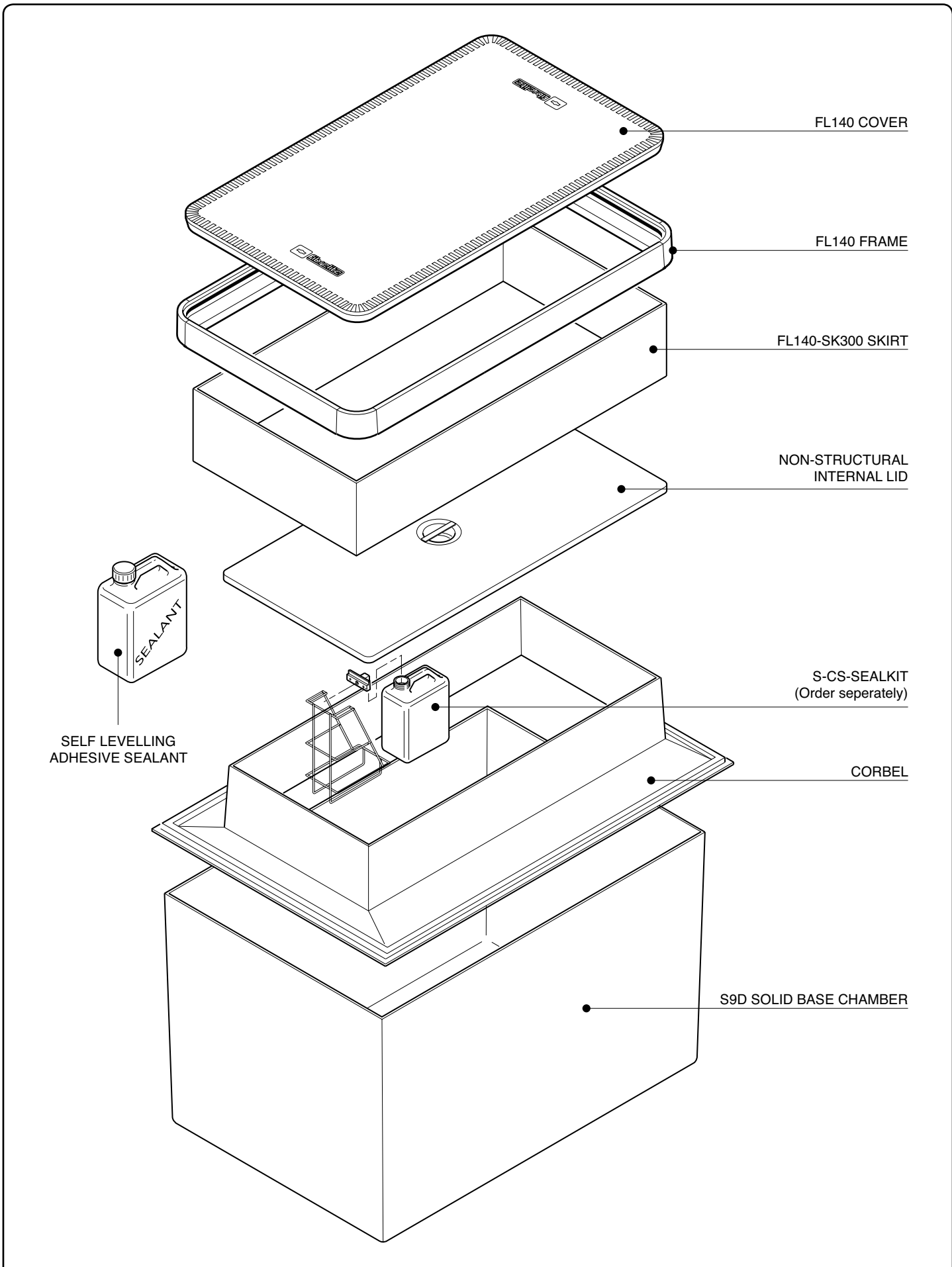
S9D-3140

© Copyright

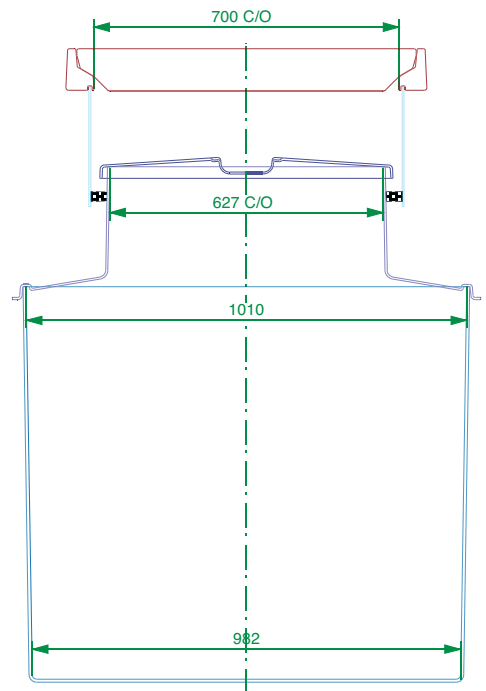
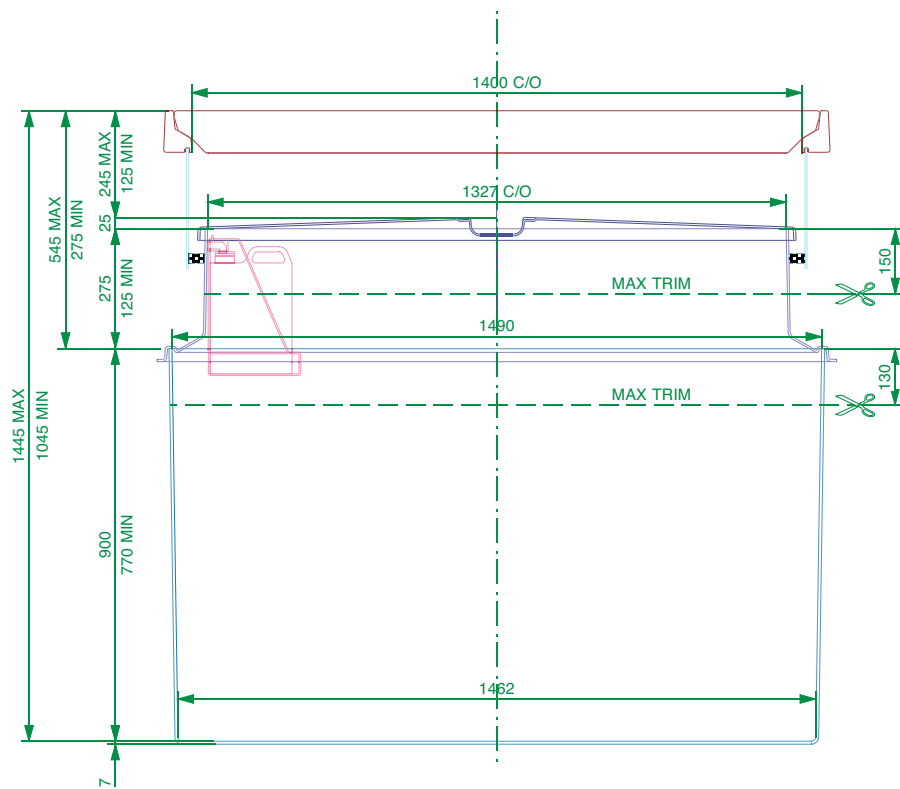
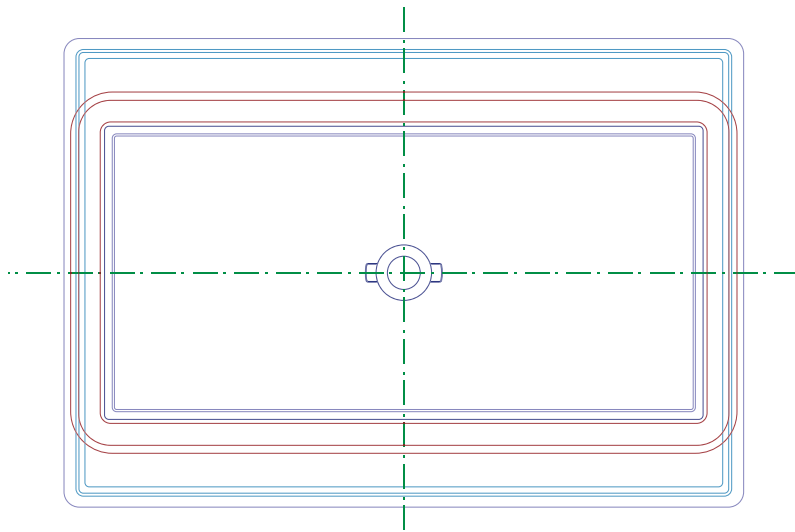
Issue: 17/09/2015

Page: 1 of 4





1462 x 982mm solid base deep sump, sealed corbel, height adjustable skirt, internal lid, flat sealed cover and frame.



1462 x 982mm solid base deep sump, sealed corbel, height adjustable skirt, internal lid, flat sealed cover and frame.

S9D-3140

© Copyright

Issue: 17/09/2015

Page: 3 of 4

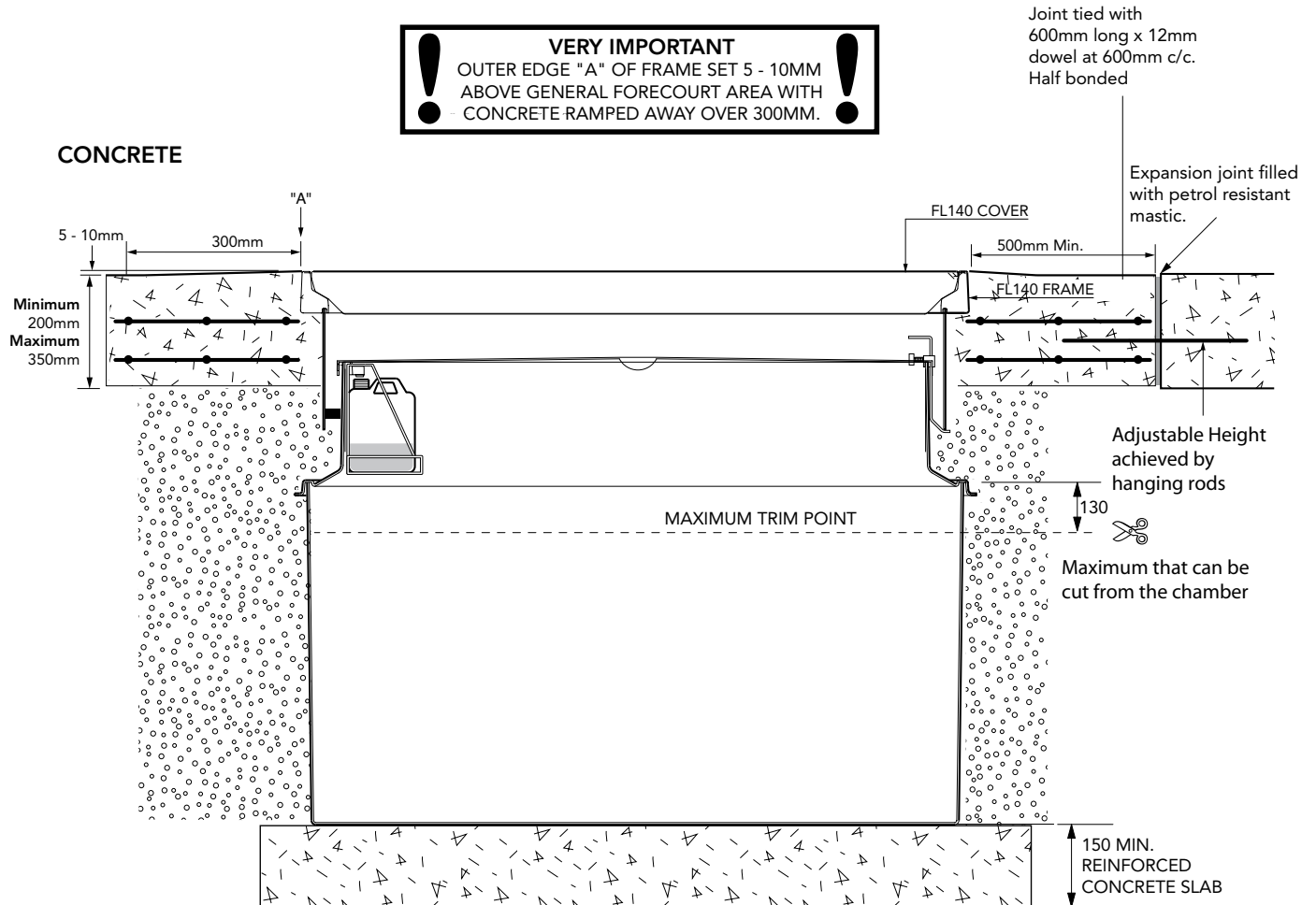


FIBRELITE

PART OF
OPW

A DOVER COMPANY

! VERY IMPORTANT !
 OUTER EDGE "A" OF FRAME SET 5 - 10MM
 ABOVE GENERAL FORECOURT AREA WITH
 CONCRETE RAMPED AWAY OVER 300MM.



1462 x 982mm solid base deep sump, sealed corbel, height adjustable skirt, internal lid, flat sealed cover and frame.

